



---

# TYPICAL

## **GC20606 / GC20606-1**

**SINGLE NEEDLE/DOUBLE NEEDLE MEDIUM AND HEAVY  
DUTY COMPOUND FEED LOCKSTITCH SEWING MACHINE**

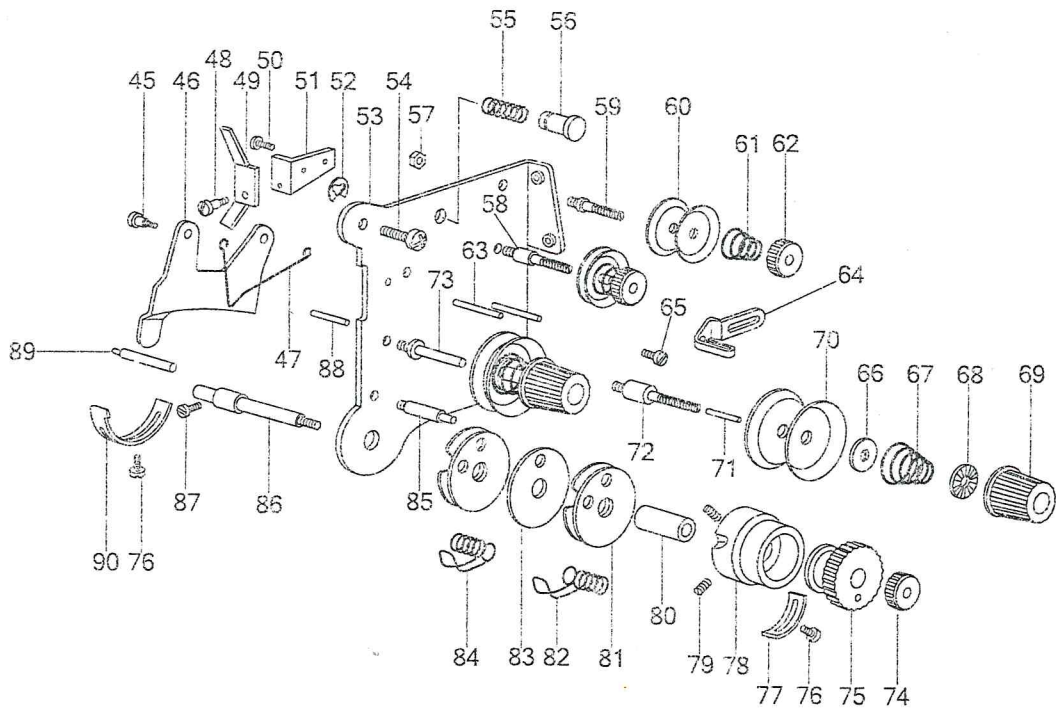
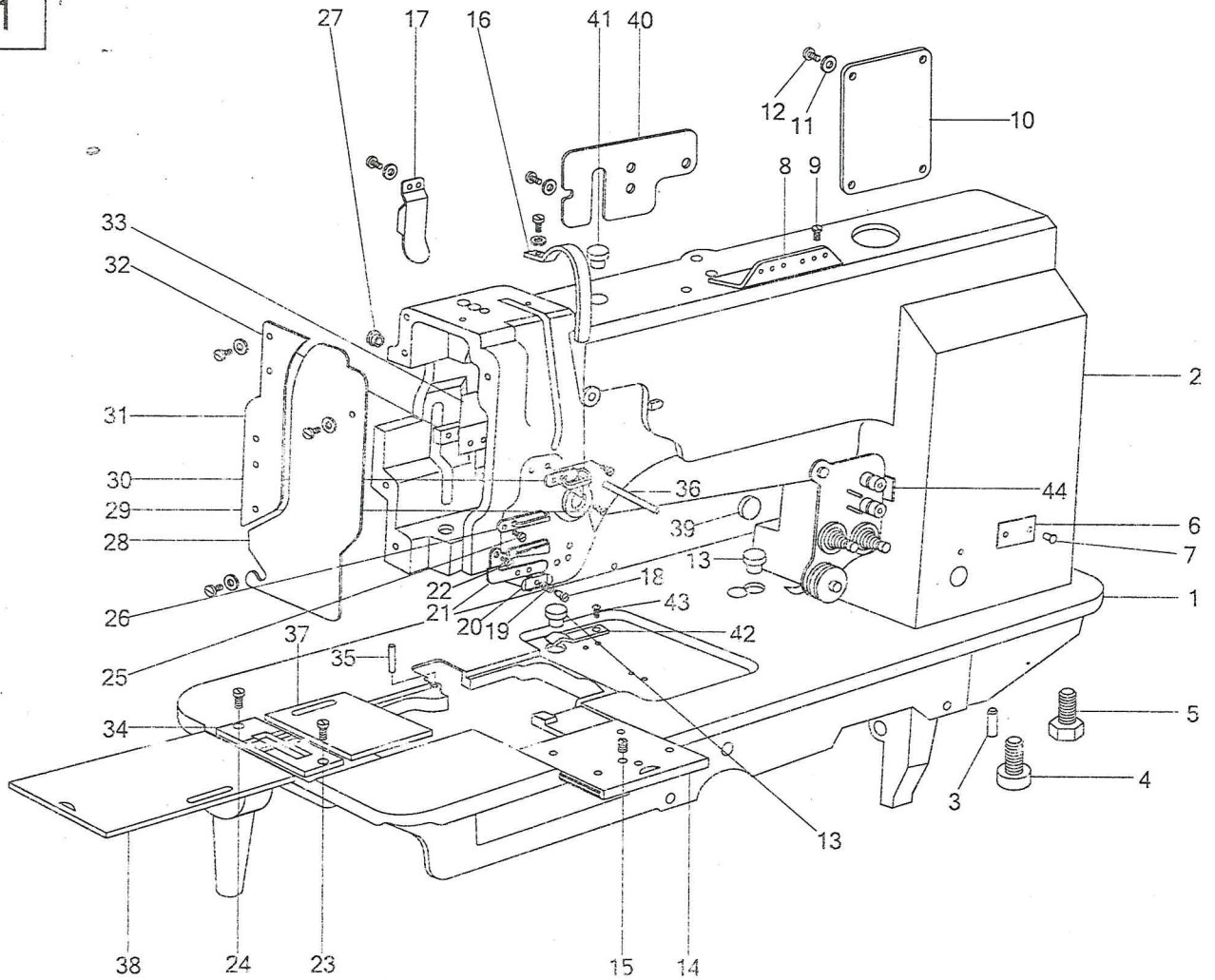
**OPERATION INSTRUCTION / PARTS MANUAL**

TYPICAL SEWING MACHINE WANPING MACHINERY CO., LTD.

---

# Parts Manual

1

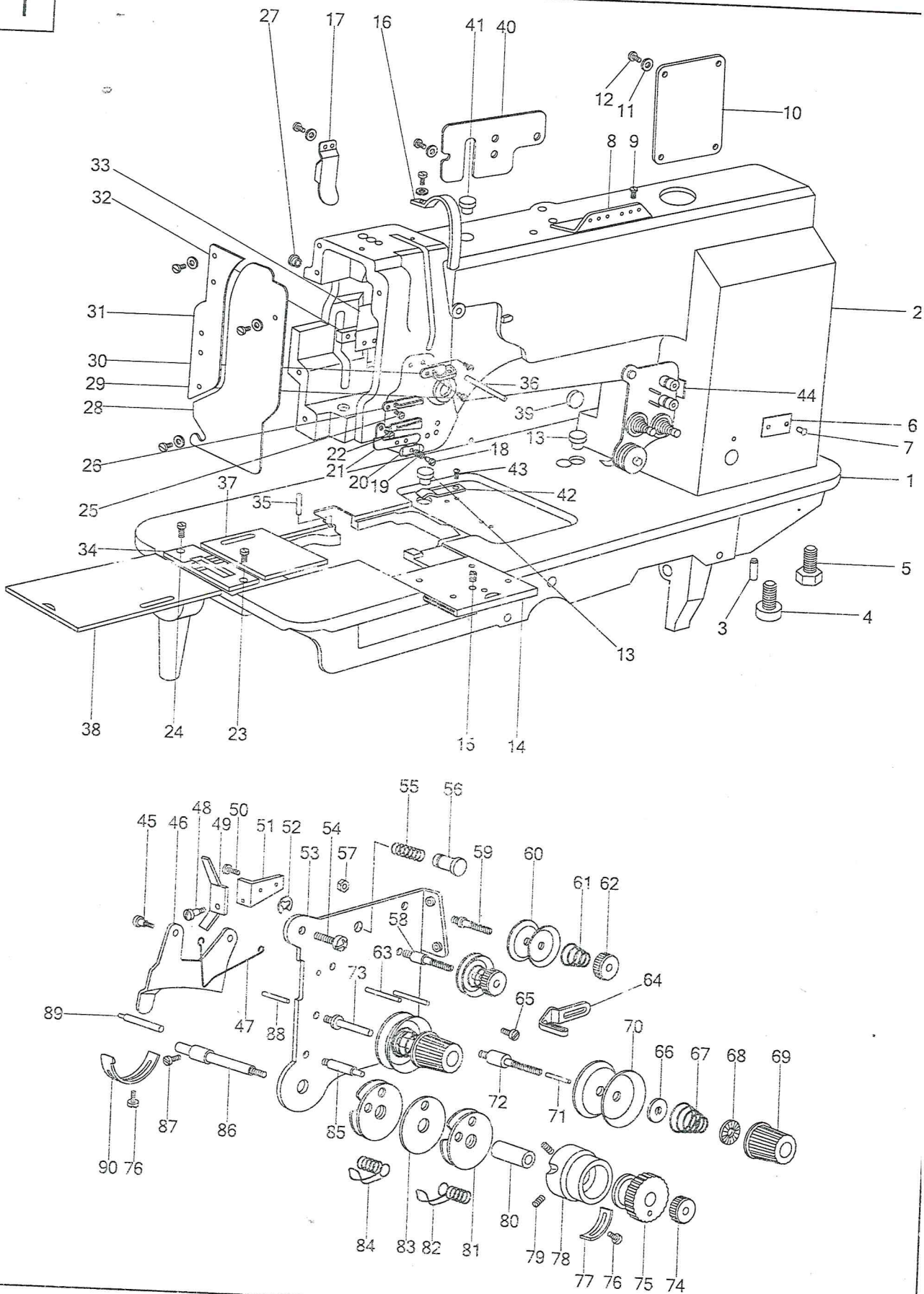


# 1. GC20606 Arm Parts

Item	Part number	Description	Pcs	Note
1	1WF1-001	Bed	1	
2	1WF1-002	Arm	1	
3		Pin	2	GB/T117 6 × 30
4		Screw	1	GB/T70.1 M10 × 32
5		Screw	3	GB/T5781 M10 × 30
6	1WF1-041	Trade mark	1	
7		Screw	2	GB827 2 × 5
8	1WF1-015	Upper thread guide	1	
9	1WF1-016	Screw	2	SM11/64" × 40/8
10	1WF1-017	Back cover	1	
11	1WF1-011	Screw	15	SM11/64" × 40/9
12	22T1-007	Washer	16	
13	1WF1-032	Cover	2	PE
14	1WF1-038	Front slide plate	1	
15	1WF1-039	Screw	1	SM3/16" × 32/5.4
16	1WF1-019	Thread take-up lever guard	1	
17	1WF1-030	Back front cover	1	
18	1WF1-027	Screw	1	
19	1WF1-028	Spring	1	
20	1WF1-003	Thread retainer	1	
21	1WF1-004	Low thread finger	1	
22	1WF1-005	Screw	1	SM9/64" × 40/6.5
23	1WF1-034	Screw	1	
24	1WF1-036	Screw	1	SM11/64" × 40
25	1WF1-007	Screw	1	SM9/64" × 40
26	1WF1-006	Middle thread finger	1	
27	1WF1-018	Rubber plug	2	
28	1WF1-013	Face plate	1	
29	1WF1-009	Screw	2	SM3/16" × 28
30	1WF1-008	Upper thread guide	1	
31	1WF1-012	Guide set plate	1	
32	1WF1-021	Set Plate	1	
33	1WF1-020	Oil retainer	1	
34	1WF1-035	Needle plate	1	
35	1WF1-037	Pin shaft	1	
36	1WF1-023	Thread releasing lever	1	
37	1WF1-033	Right sliding plate	1	
38	41WF1-003	Left sliding plate	1	
39	1WF1-029	Rubber plug	1	
40	1WF1-031	Cover	1	
41	1WF1-014	Rubber plug	1	



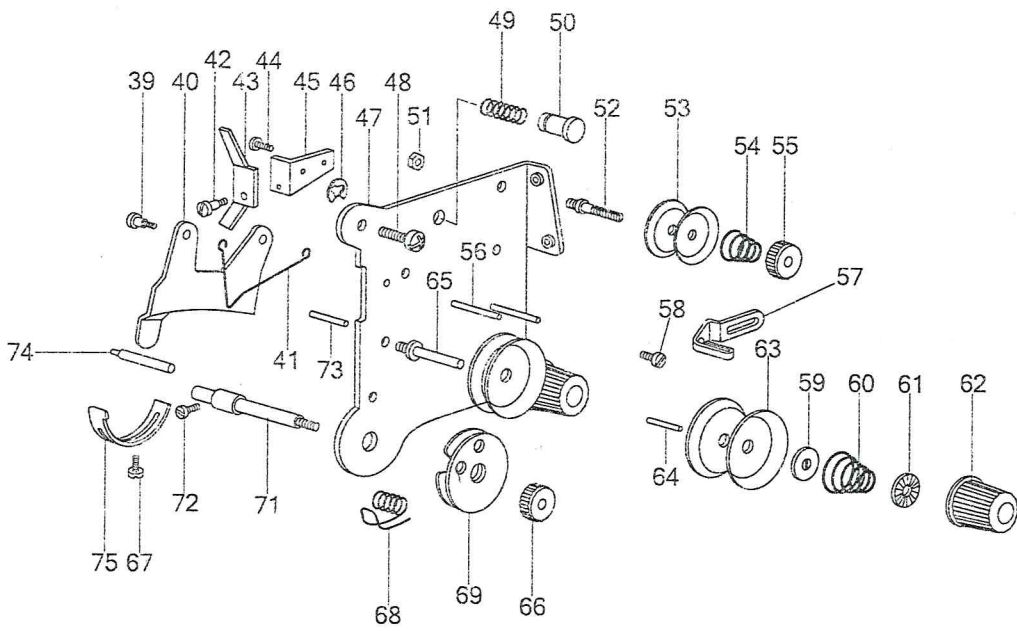
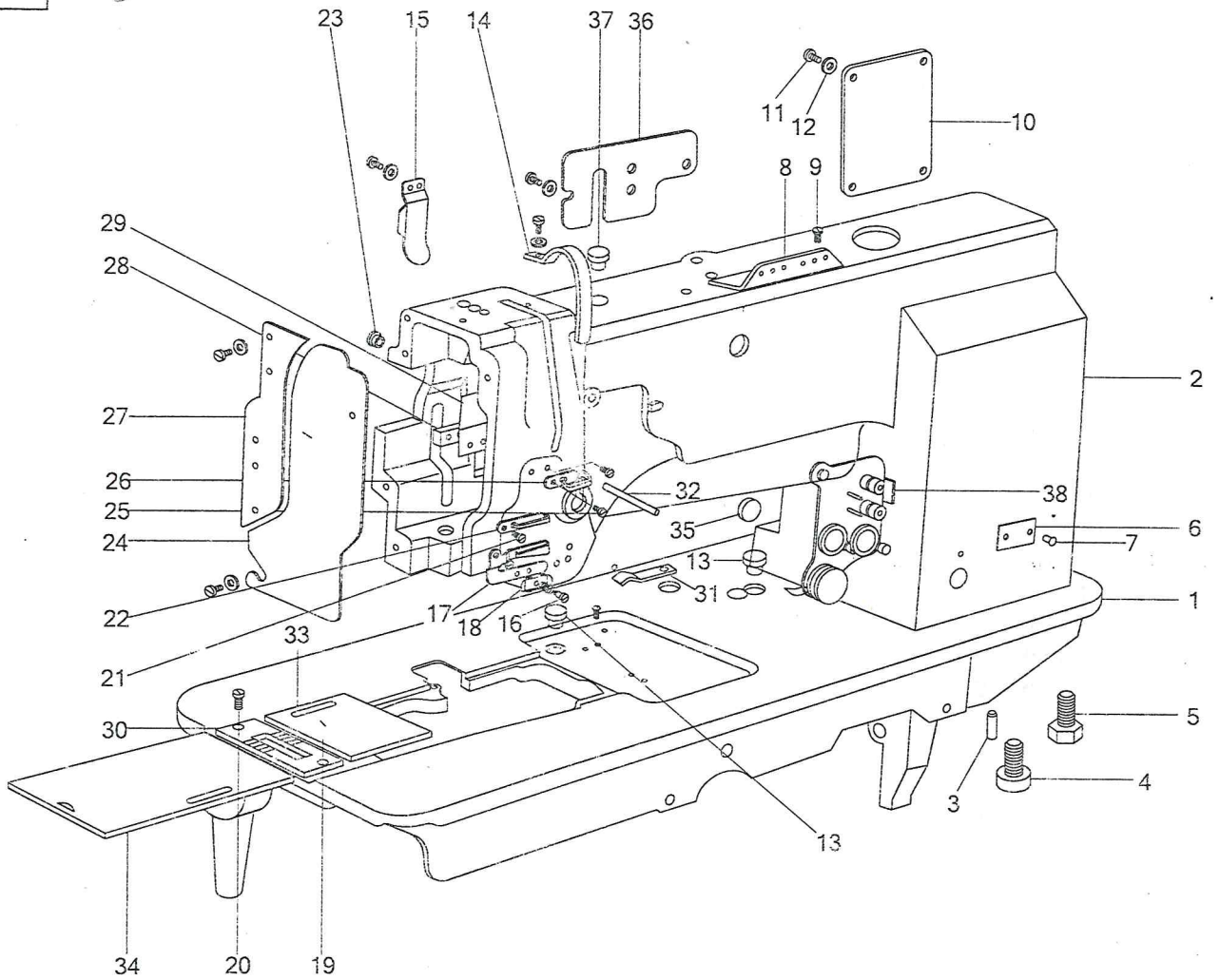
1



# 1. GC20606 Arm Parts

Item	Part number	Description	Pcs	Note
42	1WF1-043	Spring retaining plate	1	
43	1WF3-025	Screw	1	
44	83WF1-005	Thread tension Complete	1	
45	1WF1-010Q	Screw	2	
46	84WF1-010	Thread releasing plate	1	
47	1WF1-010P	Thread releasing spring	1	
48	84WF1-012	Screw	1	
49	84WF1-011	Thread releasing moving lever	1	
50	84WF1-014	Screw	1	
51	84WF1-013	Setting plate	1	
52		Ring	1	GB8965
53	84WF1-005A	Thread tension plate	1	
54	1WF4-051	Screw	1	
55	84WF1-016	Spring	1	
56	84WF1-015	Thread tension button	1	
57	13WF2-052	Nut	2	
58	83WF1-006	Screw (long)	1	
59	13WF2-051	Screw	1	
60	22T1-009E3	Small thread tension plate	4	
61	13WF2-009	Spring	2	
62	36T2-006D4	Nut	2	
63	84WF1-005B	Thread guide pin	3	
64	84WF1-006	Thread finger	1	
65	1WF1-005	Screw	1	
66	27WF2-008C	Thread releasing plate	2	
67	27WF2-008B	Spring	2	
68	153209	Stopping plate	2	
69	27WF2-008A	Nut	2	
70	27WF2-008F	Thread tension plate	4	
71	1WF1-010M	Thread releasing pin	1	
72	83WF1-005A	Screw (right)	1	
73	84WF1-005C	Screw (left)	1	
74	1WF1-010H	Nut	1	
75	83WF1-011	Bushing	1	
76	1WF1-026	Screw	1	
77	1WF1-025	Position bracket	1	
78	83WF1-012	Guide bushing	1	
79	83WF1-013	Setting screw	1	
80	84WF1-014	Bushing	1	
81	84WF1-007	Thread control plate	2	
82	83WF1-010	Thread take-up spring	1	
83	83WF1-007	Thread finger	1	
84	9WF1-003B	Thread take-up spring	1	
85	83WF1-008	Screw	1	
86	83WF1-009	Shaft	1	
87	1WF1-024	Screw	1	
88	1WF1-010L	Thread releasing pin(long)	1	
89	84WF1-026	Thread releasing lever	1	
90	1WF1-025	Position plate	1	

2



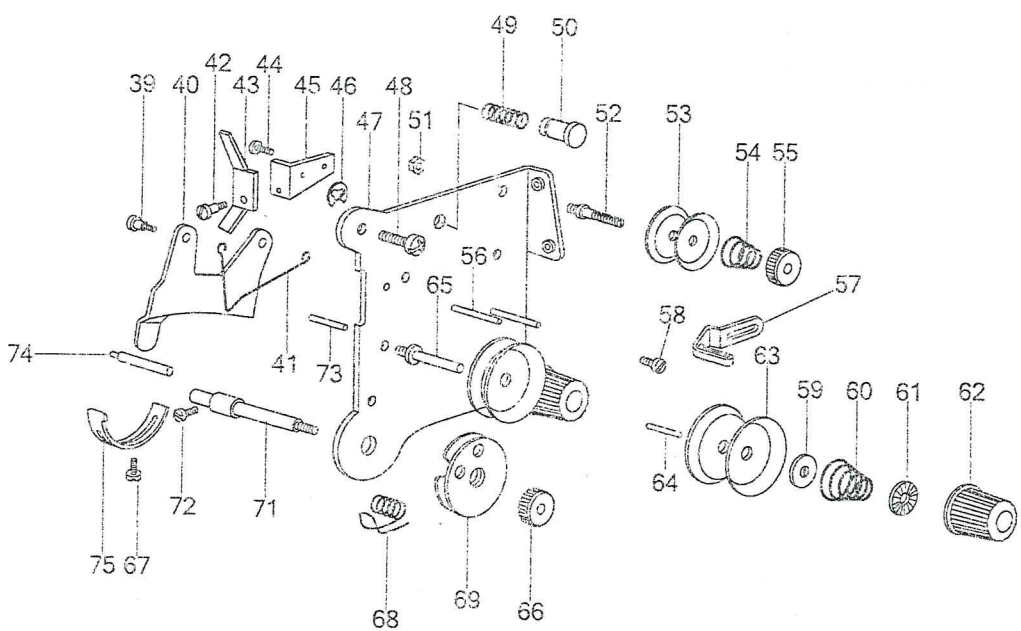
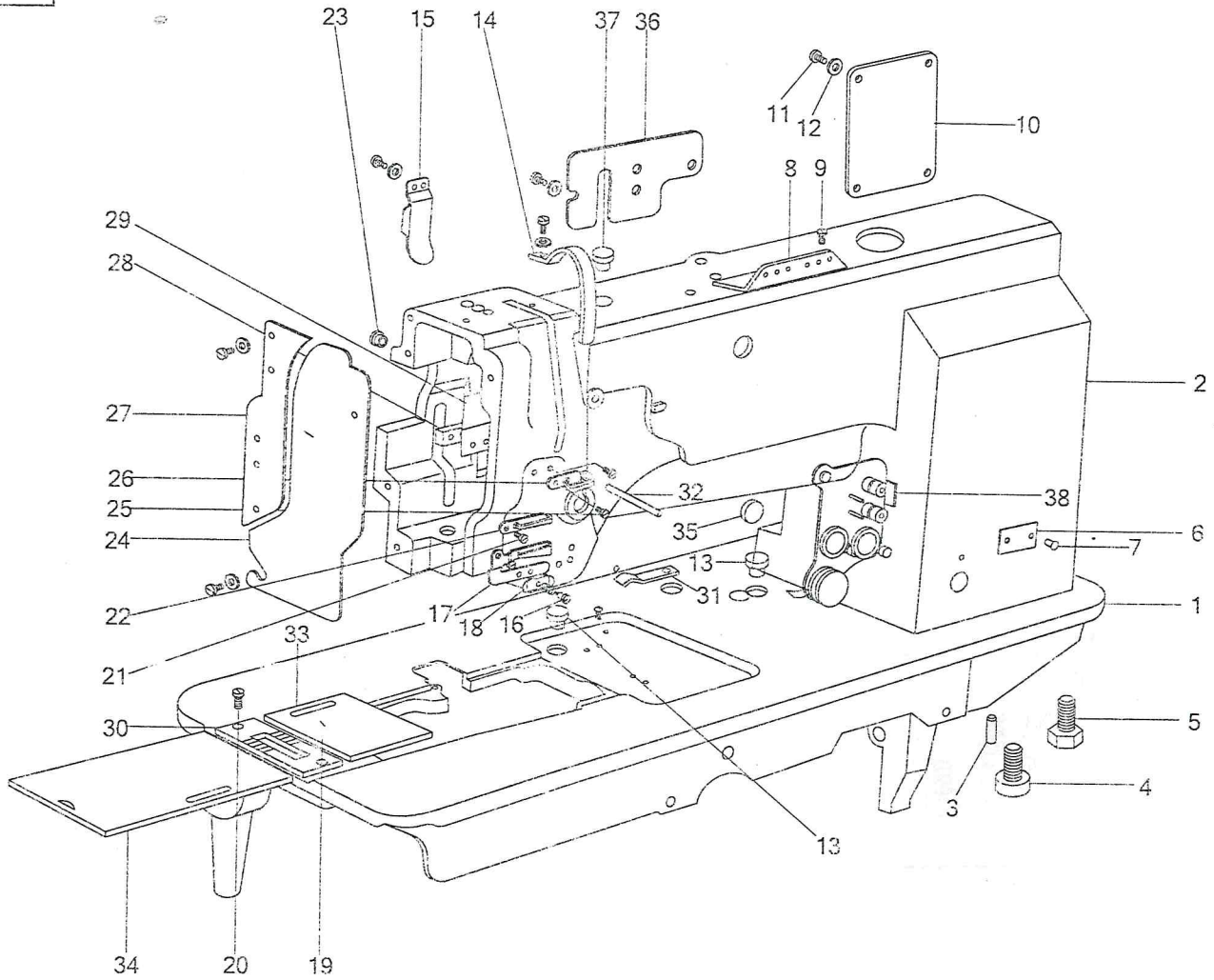


## 2. GC20606-1 Arm Parts

Item	Part number	Description	Pcs	Note
1	9WF1-007	Bed	1	
2	1WF1-002	Arm	1	
3		Pin	2	GB/T117 6×30
4		Screw	1	GB/T70.1 M10×25
5		Screw	3	GB/T5781 M10×30
6	9WF1-005	Trade mark	1	
7		Screw	2	Gb827 2×5
8	1WF1-015	Upper thread guide	1	
9	1WF1-016	Screw	2	SM11/64" × 40/8
10	1WF1-017	Back cover	1	
11	1WF1-011	Screw	15	SM11/64" × 40/9
12	22T1-007	Washer	15	
13	1WF1-032	Cover	2	PE
14	1WF1-019	Thread take-up lever guard	1	
15	1WF1-030	Back front cover	1	
16	1WF1-005	Screw	1	
17	9WF1-001	Lower thread finger	1	
18	9WF1-002	Oil felt	1	
19	1WF1-034	Screw	2	
20	1WF1-036	Screw	1	
21	1WF1-007	Screw	1	
22	1WF1-006	Middle thread finger	1	
23	1WF1-018	Rubber plug	2	
24	1WF1-013	Face plate	1	
25	1WF1-009	screw	2	
26	1WF1-008	Upper thread guide	1	
27	1WF1-012	Guide set plate	1	
28	1WF1-021	Set plate	1	
29	1WF1-020	Oil retainer	1	
30	9WF1-004A	Needle plate	1	
31	1WF1-043	Spring retaining plate	1	
32	1WF1-023	Thread releasing lever	1	
33	1WF1-033	Right sliding plate	1	
34	41WF1-003	Left sling plate	1	
35	1WF1-029	Rubber plug	1	
36	1WF1-031	Cover	1	
37	1WF1-014	Rubber plug	1	

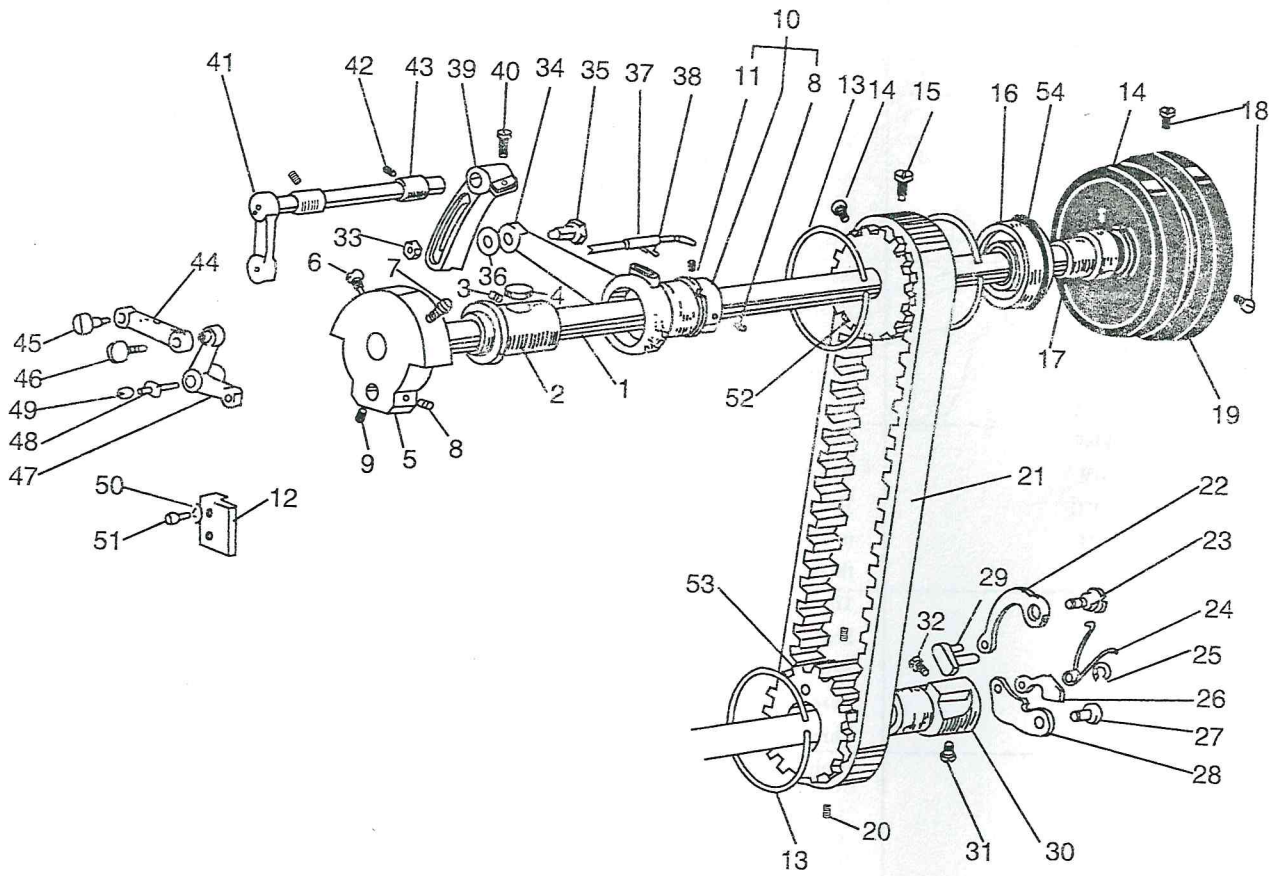


2



## 2. GC20606-1 Arm Parts

Item	Part number	Description	Pcs	Note
38	84WF1-027	Thread tension complete	1	
39	1WF1-010Q	Screw	2	
40	84WF1-010	Thread releasing plate	1	
41	1WF1-010P	Thread releasing spring	1	
42	84WF1-012	Screw	1	
43	84WF1-011	Thread releasing moving lever	1	
44	84WF1-014	Screw	1	
45	84WF1-013	Setting plate	1	
46		Ring	1	
47	84WF1-005A	Thread tension plate	1	GB8965
48	1WF4-051	Screw	1	
49	84WF1-016	Spring	1	
50	84WF1-015	Thread tension button	1	
51	13WF2-052	Nut	1	
52	13WF2-051	Screw	1	
53	22T1-009E3	Small thread tension plate	2	
54	13WF2-009	Spring	1	
55	36T2-006D4	Nut	1	
56	84WF1-005B	Thread guide pin	2	
57	84WF1-006	Thread finger	1	
58	1WF1-005	Screw	1	
59	27WF2-008C	Thread releasing plate	1	
60	27WF2-008B	Spring	1	
61	153209	Stopping plate	1	
62	27WF2-008A	Nut	1	
63	27WF2-008F	Thread tension plate	2	
64	1WF1-010M	Thread releasing pin (short)	1	
65	84WF1-005C	Thread tension screw	1	
66	1WF1-010H	nut	1	
68	9WF1-003B	thread take-up spring	1	
69	84WF1-007	Thread control plate	1	
71	84WF1-009	Shaft	1	
72	1WF1-024	Screw	1	
73	1WF1-010L	Thread releasing pin(long)	1	
74	84WF1-026	Thread releasing lever	1	
75	1WF1-025	Position plate	1	

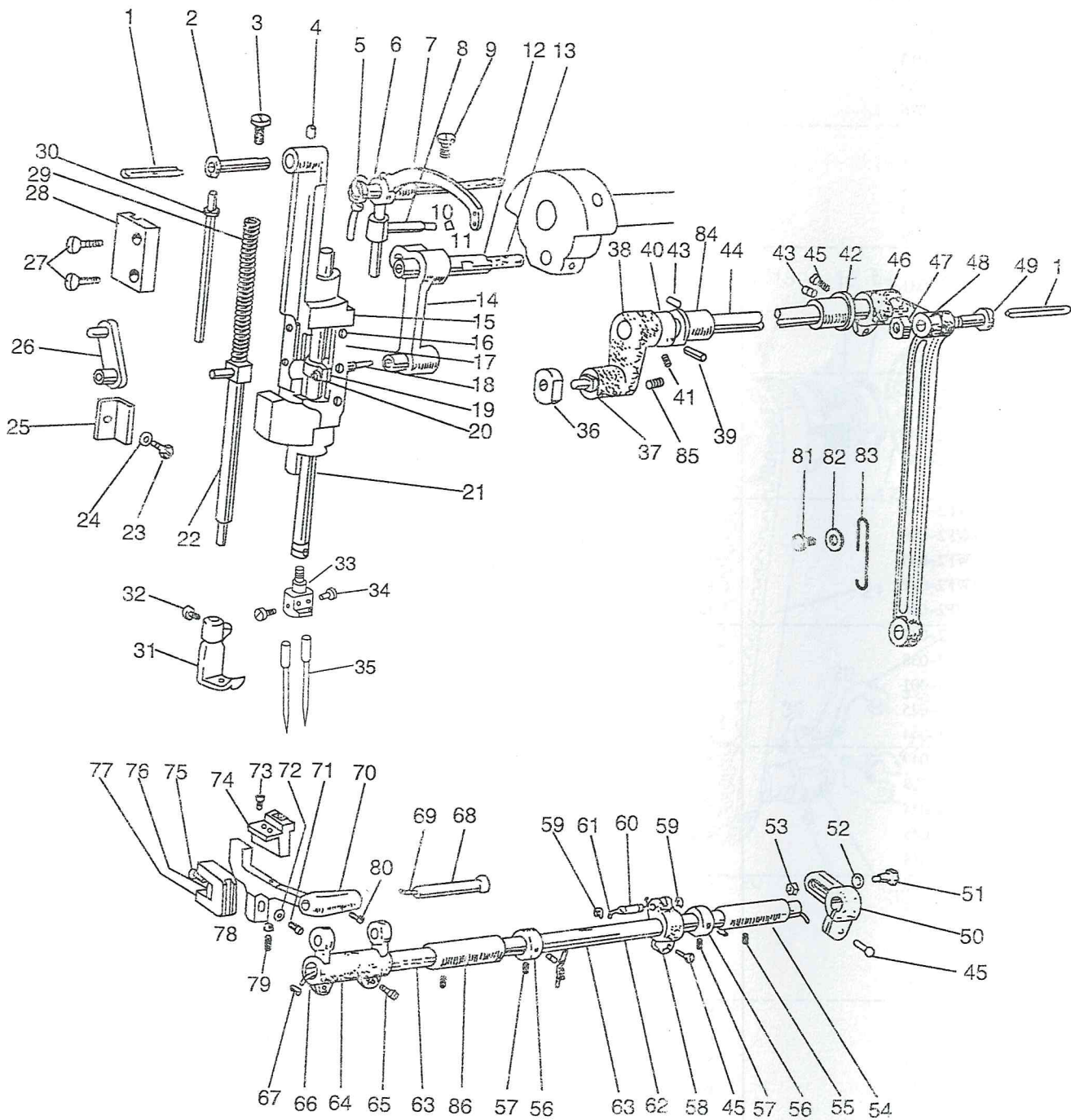




### 3. Upper Shaft Presser Foot Parts

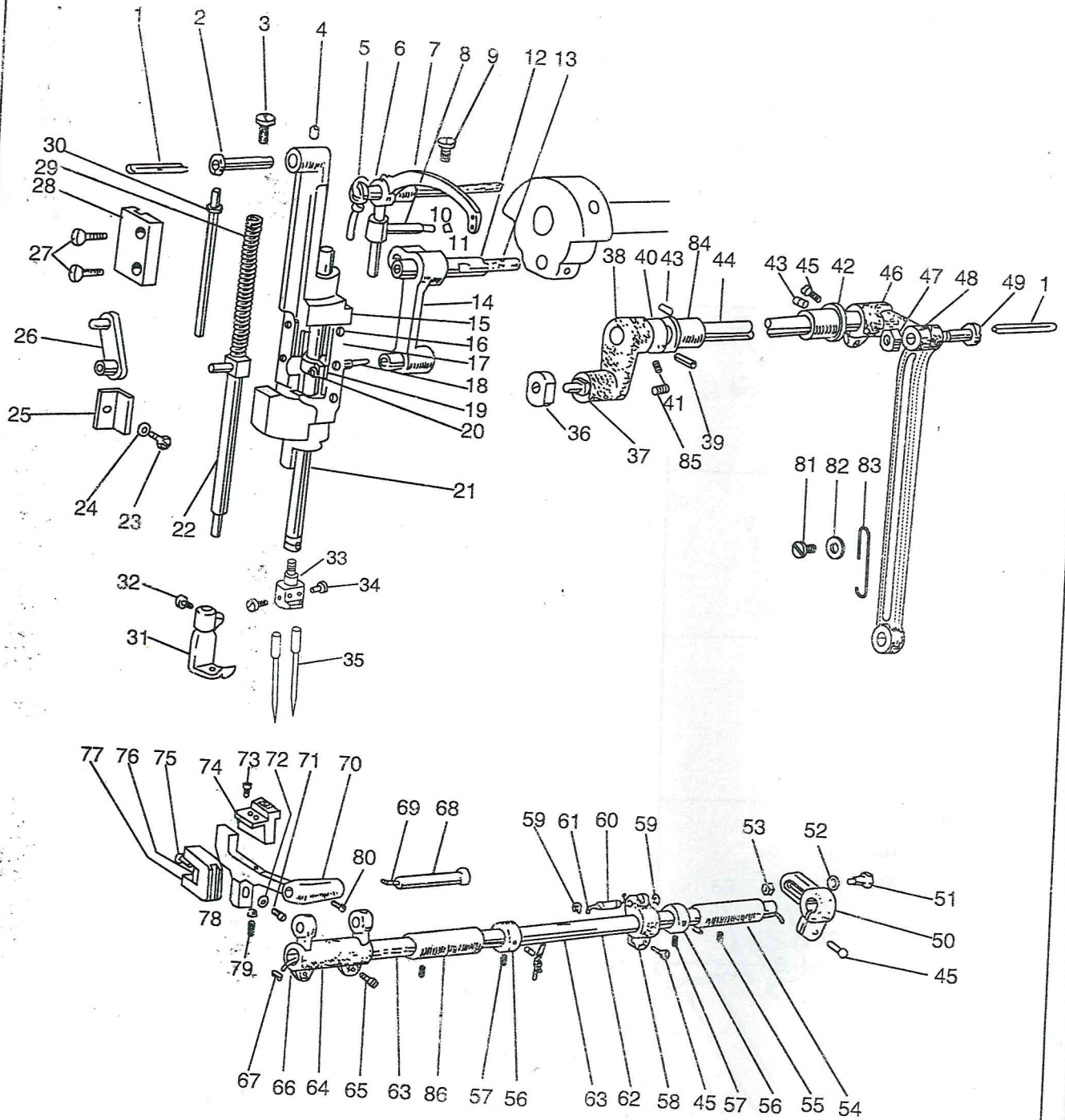
Item	Part number	Description	Pcs	Note
1	1WF2-025	Upper shaft	1	
2	1WF2-022	Front bushing	1	
3	1WF2-023	Screw	1	SM1/4" x 24/13
4	1WF2-024	Oil felt	1	
5	1WF2-021	Needle bar crank	1	
6	20T2-020	Screw	1	SM9/32"/28
7	20T2-007	Settin screw	1	GB7 - 1
8	1WF2-010	screw	3	SM1/4" x 40/7
9	1WF2-009	screw	1	SM1/4" x 40/4
10	1WF5-026	Presser foot lift eccentric cam	1	
11		Stop ring	1	CB894.1 5
12	1WF5-041	Slot for frong crank sliding block	1	
13	1WF2-026	Stop ring	3	
14	1WF2-030	Screw	3	SM15/64" x 28/8.5
15	1WF2-029	Screw	1	SM15/64" x 28/15
16		Ball bearing	1	20 x 47 x 14
17	1WF2-031	Rear bushing	1	
18	1WF2-019	Screw	2	SM15/64" x 28/12
19	1WF2-032	Balance wheel	1	
20	1WF2-044	Screw	2	SM15/64" x 28/4.5
21	1WF2-028	Timing belt	1	
22	1WF2-039	Spring plate	1	
23	1WF2-037	Pin	1	
24	1WF2-041	Spring	1	
25		Split stop ring	1	GB896 3
26	1WF2-040	Stop plate	1	
27	1WF2-048	Nail	1	
28	1WF2-045	Control plate	1	
29	1WF2-042	Connecting	1	
30	1WF2-046	Bushing	1	
31	1WF2-047	Screw	1	SM15/64" x 28/10.5
32	1WF2-038	Screw	1	SM15/64" x 28/10
33	1WF5-001	Nut	1	
34	1WF5-025	Connecting lever	1	
35	1WF5-044	screw	1	
36	1WF5-047	Washer	1	
37	1WF5-023	Oil tube complete	1	
38	1WF5-024	Spring	1	
39	1WF5-045	Presser foot lift rear crank	1	
40	1WF4-018	Screw	1	SM1/4" x 24/16
41	1WF5-038	Presser foot lift front crank	1	
42	1WF5-028	Screw	2	SM1/4" x 24/8
43	1WF5-037	Bushing	2	
44	1WF5-030	Presser foot lift link	1	
45	1WF5-029	Screw	1	
46	1WF5-032	Screw	1	SM11/64" x 40/6
47	1WF5-033	Presser foot lift movable plate	1	
48	1WF5-034	Needle bearing shaft	1	
49	1WF5-035	Ball bearing	1	
50	22T1-007	Washer	2	
51	1WF5-042	Screw	2	SM11/64 x 40/10
52	1WF2-027	Upper timing wheel	1	
53	1WF2-043	Lower timing wheel	1	
54	1WF2-080	Ring	1	





#### 4. GC20606 Needle Bar And Lower Feed Parts

Item	Part number	Description	Pcs	Note
1	1WF5-017	Oil wick	2	$\Phi 2.5 \times 80$
2	1WF5-018	Shaft	1	
3	1WF5-031	Screw	1	SM5/16" $\times$ 28/10
4	1WF5-019	Screw	1	SM15/64" $\times$ 28/8
5	1WF2-018	Oil wick	1	$\Phi 2.5 \times 240$
6	1WF2-017	Bushing	1	
7	1WF2-016A	Thread take-up lever	1	
8	1WF2-011	Sliding block	1	
9	1WF2-019	Screw	1	SM15/64" $\times$ 28/12
10	1WF2-012	Oil wick	1	$\Phi 3 \times 25$
11	1WF2-013	Plug	1	
12	1WF2-014	Pin	1	
13	1WF2-015	Oil wick	1	$\Phi 3 \times 80$
14	1WF2-008	Needle bar link	1	
15	1WF5-011	Needle bar moving holder	1	
16	1WF5-013	Screw	6	SM3/32" $\times$ 56/4.6
17	1WF5-012	Shim	2	
18	1WF2-007	Oil felt	1	
19	1WF2-005	Needle bar adaptor	1	
20	1WF2-006	Screw	1	SM9/64" $\times$ 40/8.5
21	1WF2-004	Needle bar	1	
22	1WF5-006	Presser bar	1	
23	1WF5-010	Screw	1	SM11/64" $\times$ 40/12
24	22T1-007	Washer	1	
25	1WF5-009	Needle bar guide plate	1	
26	1WF5-036	Presser bar link	1	
27	1WF3-009	Screw	2	SM11/64" $\times$ 40/15
28	1WF5-014	Guide plate	1	
29	1WF5-016	Spring	1	
30	1WF5-015	Reel for spring	1	
31	1WF5-043	Small presser foot	1	
32	1WF3-025	Screw	1	
33	1WF2-003	Needle clamp	1	
34	1WF2-002	Screw	2	SM9/64" $\times$ 40/4.3
35	1WF2-001	Needle	2	DP $\times$ 17 23#
36	1WF5-007	Sliding block	1	
37	1WF5-008A	Shaft	1	
38	1WF5-020	Left crank	1	
39		Pin	1	GB/T117 4 $\times$ 24
40	1WF5-021	Washer	1	

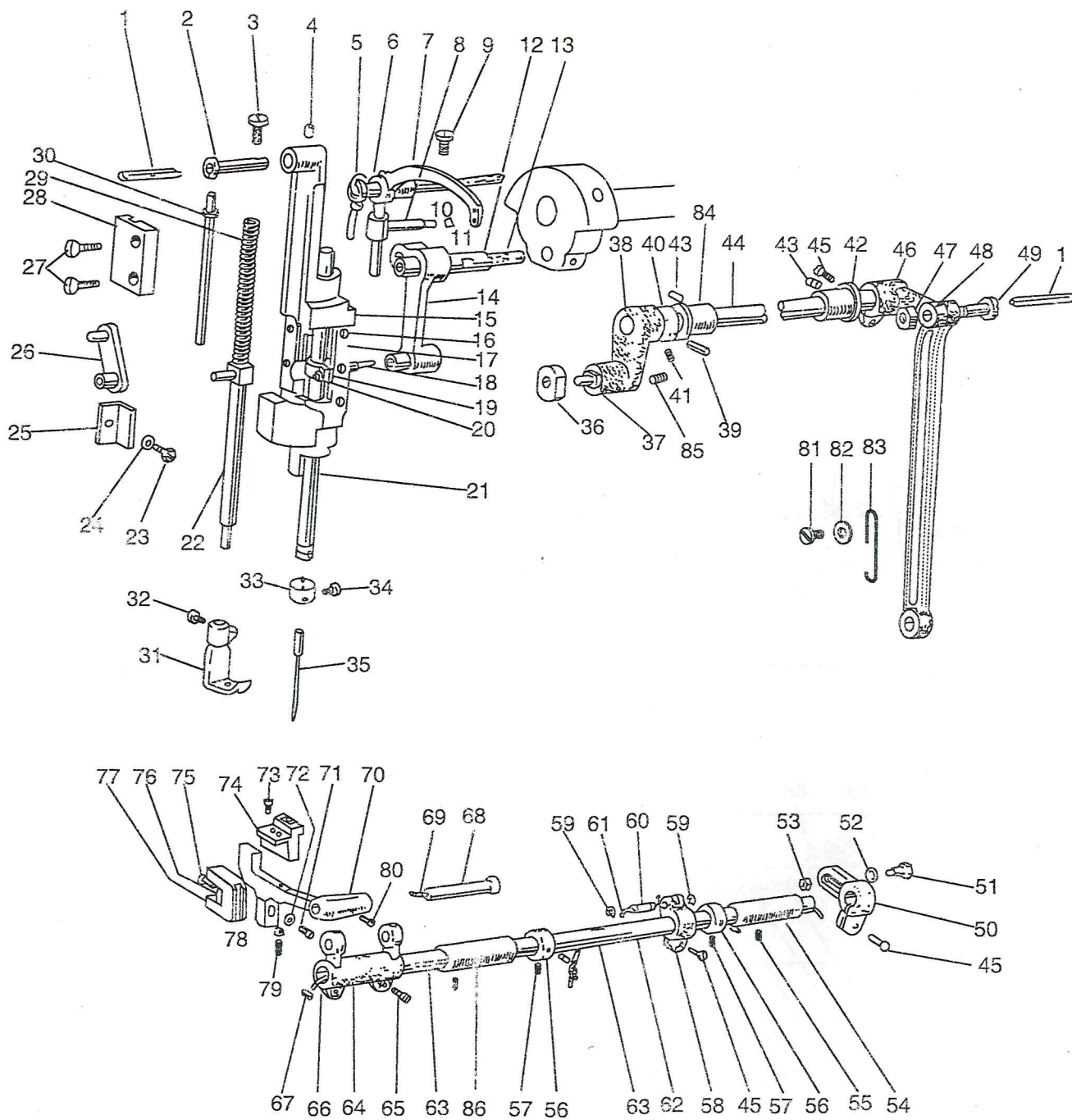




#### 4. GC20606 Needle Bar And Lower Feed Parts

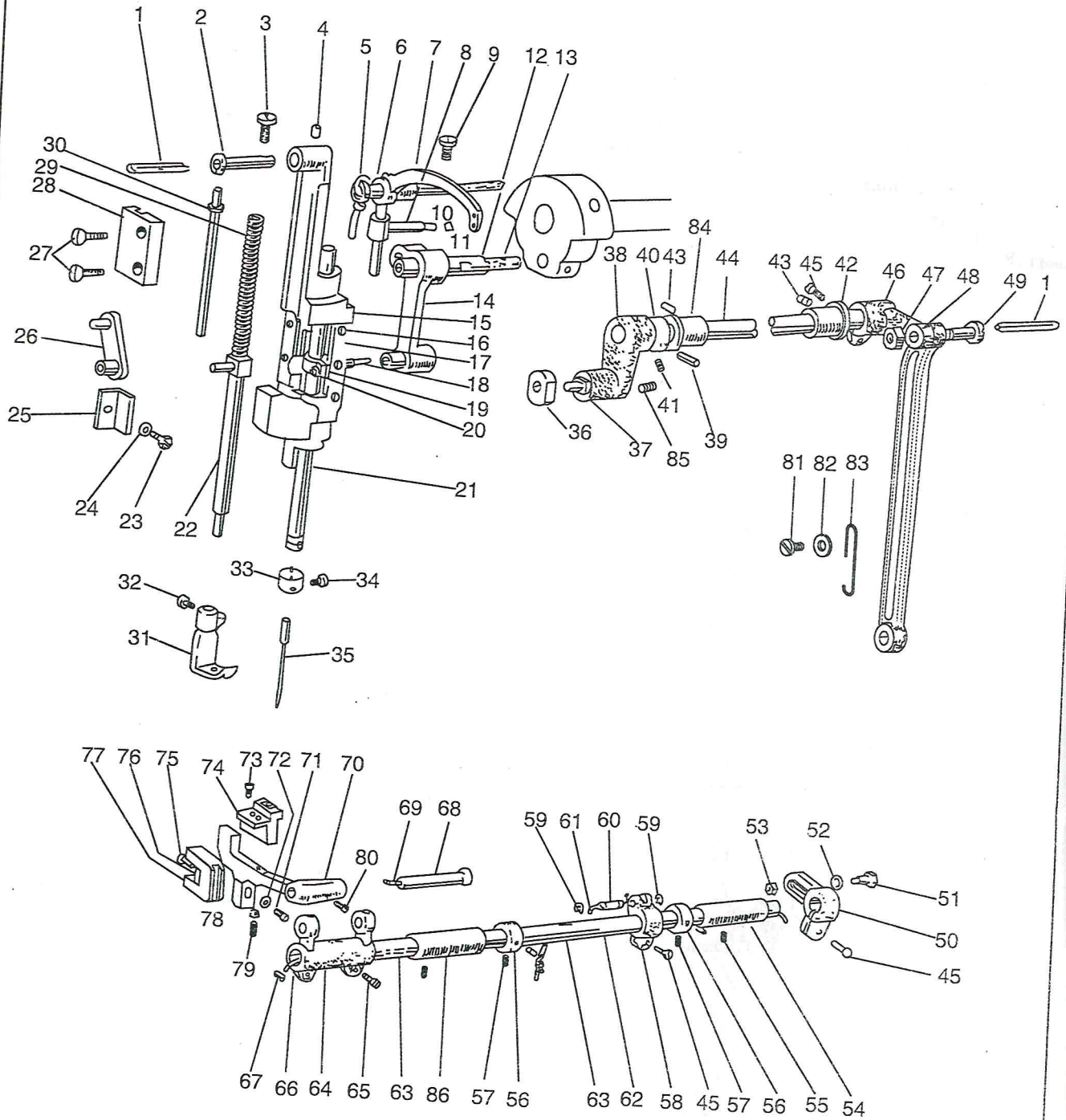
Item	Part number	Description	Pcs	Note
41	1WF5-022	Screw	2	SM1/4" x 24/8
42	1WF5-027	Bushing	1	
43	1WF5-028	Screw	2	
44	1WF5-048	Shaft	1	
45	1WF4-018	Screw	3	
46	1WF5-005	Rear crank	1	
47	1WF5-004	Nut	1	
48	1WF5-003A	Link	1	
49	1WF5-049	Screw	1	
50	1WF5-002	Right crank	1	
51	1WF5-046	Pin	1	
52	1WF5-047	Washer	1	
53	1WF5-001	Nut	1	
54	1WF4-052	Bushing	1	
55	1WF2-023	Screw	2	
56	1WF4-054	Collar	2	SM1/4" x 40/4
57	1WF2-009	Screw	4	
58	1WF4-017	Feed crank	1	
59		Split stop ring	2	
60	1WF4-019	Pin	1	
61	1WF4-020	Oil wick	1	Φ3 x 55
62	1WF4-037	Feed shaft	1	
63	1WF4-038	Oil felt	2	
64	1WF4-035	Feed connecting crank (left)	1	
65	1WF4-034	Screw	2	
66	1WF4-030	Oil wick	1	SM3/16" x 28/12
67	1WF4-029	Oil wick clamp	1	
68	1WF4-036	Shaft	1	
69	1WF4-031	oil wick	1	
70	1WF4-001	Feed dog supporter	1	
71	1WF4-032	Screw	1	SM15/64" x 28/16
72		Washer	1	
73	1WF4-005	Screw	2	
74	1WF4-004	Feed dog	1	
75	1WF4-007	Screw	1	
76	1WF4-008	Oil wick	1	SM1/8" x 44/4
77	1WF4-009	Feed dog lift fork	1	
78	1WF4-002	Nut	1	
79	1WF4-003	Screw	1	
80	1WF4-033	Screw	1	
81	1WF1-024	Screw	1	SM1/8" x 40/13.5 SM11/64" x 40/6
82	22T1-001	Washer	1	
83	1WF6-013	Spring	1	
84	1WF5-050	Front bushing	1	
85	J0.040	Screw	1	
86	1WF4-052a	Bushing	1	





## 5. GC20606-1 Needle Bar And Lower Feed Parts

Item	Part number	Description	Pcs	Note
1	1WF5-017	Oil wick	2	Φ2.5 × 80
2	1WF5-018	Shaft	1	
3	1WF5-031	Screw	1	
4	1WF5-019	Screw	1	
5	1WF2-018	Oil wick	1	
6	1WF2-017	Bushing	1	Φ2.5 × 240
7	1WF2-016A	Thread take-up lever	1	SM15/64" × 28/12
8	1WF2-011	Sliding block	1	
9	1WF2-019	Screw	1	
10	1WF2-012	Oil wick	1	
11	1WF2-013	Plug	1	
12	1WF2-014	Pin	1	Φ3 × 25
13	1WF2-015	Oil wick	1	
14	1WF2-008	Needle bar link	1	
15	1WF5-011	Needle bar moving holder	1	
16	1WF5-013	Screw	1	
17	1WF5-012	Shim	6	SM3/32" × 56/4.6
18	1WF2-007	Oil felt	2	
19	1WF2-005	Needle bar adaptor	1	
20	1WF2-006	Screw	1	
21	9WF2-001	Needle bar	1	
22	1WF5-006	Presser bar	1	SM9/64" × 40/8.5
23	1WF5-010	Screw	1	
24	22T1-007	Washer	1	
25	1WF5-009	Needle bar guide plate	1	
26	1WF5-036	Presser bar link	1	
27	1WF3-009	Screw	1	SM11/64 × 40/15
28	1WF5-014	Guide plate	2	
29	1WF5-016	Spring	1	
30	1WF5-015	Reel for spring	1	
31	35T5-502	Small presser foot	1	
32	22T2-004	Screw	1	Φ6.15 ± 0.05
33	35T1-103	Needle bar thread ring	1	
34	22T2-017	Screw	1	
35	1WF2-001	Needle	1	
36	1WF5-007	Sliding block	1	
37	1WF5-008	Shaft	1	SM9/64" × 40/4.3
38	1WF5-020A	Left crank	1	
39		Pin	1	
40	1WF5-021	Washer	1	
			1	
				GB/T117 4×24

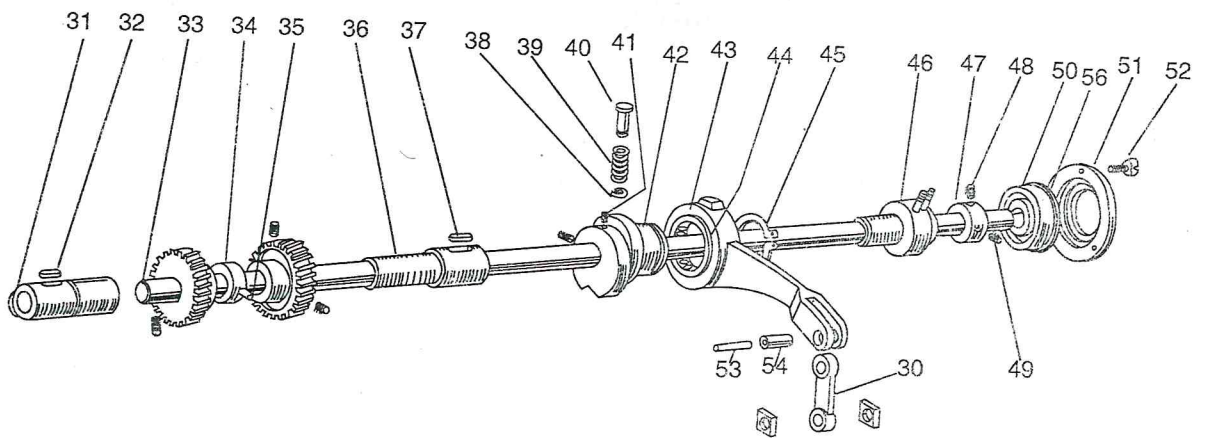
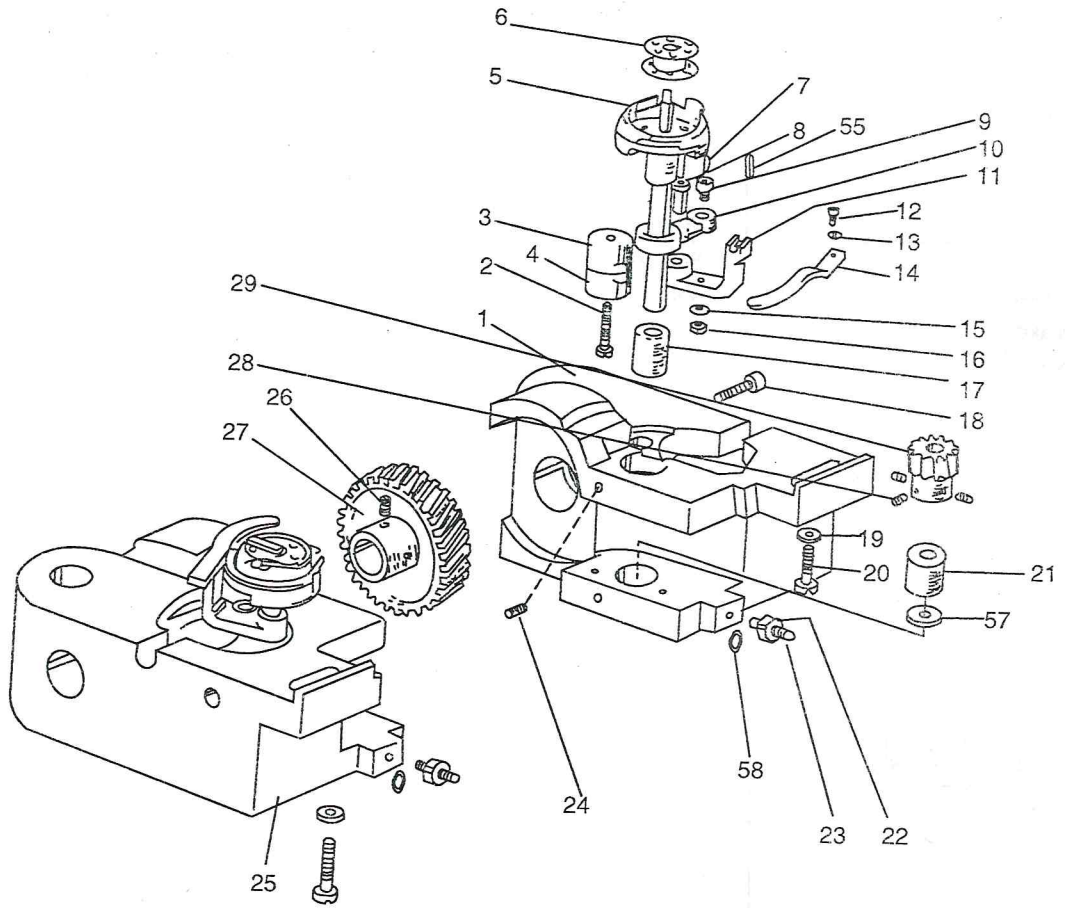




### 5. GC20606-1 Needle Bar And Lower Feed Parts

Item	Part number	Description	Pcs	Note
41	1WF5-022	Screw	2	SM1/4" x 24/8
42	1WF5-027	Bushing	1	
43	1WF5-028	Screw	2	
44	1WF5-048	Shaft	1	
45	1WF4-018	Screw	3	
46	1WF5-005	Rear crank	1	
47	1WF5-004	Nut	1	
48	1WF5-003A	Link	1	
49	1WF5-049	Screw	1	
50	1WF5-002	Right crank	1	
51	1WF5-046	Pin	1	
52	1WF5-047	Washer	1	
53	1WF5-001	Nut	1	
54	1WF4-052	Bushing	1	
55	1WF2-023	Screw	2	
56	1WF4-054	Collar	2	SM1/4" x 40/4
57	1WF2-009	Screw	4	
58	1WF4-017	Feed crank	1	
59		Split stop ring	2	
60	1WF4-019	Pin	1	
61	1WF4-020	Oil wick	1	Φ3 x 55
62	1WF4-037	Feed shaft	1	
63	1WF4-038	Oil felt	2	
64	1WF4-035	Feed connecting crank (left)	1	
65	1WF4-034	Screw	2	
66	1WF4-030	Oil wick	1	SM3/16" x 28/12
67	1WF4-029	Oil wick clamp	1	Φ2.5 x 430
68	1WF4-036	Shaft	1	
69	1WF4-031	oil wick	1	
70	9WF4-001	Feed dog supporter	1	
71	1WF4-032	Screw	1	
72		Washer	1	SM15/64" x 28/16
73		Screw	1	GB/T95 6
74	9WF4-002	Feed dog	2	SM1/8" x 40/7
75	1WF4-007	Screw	1	SM1/8" x 44/4
76	1WF4-008	Oil wick	1	
77	1WF4-009	Feed dog lift fork	1	
78	1WF4-002	Nut	1	
79	1WF4-003	Screw	1	
80	1WF4-033	Screw	1	SM1/8" x 40/13.5
81	1WF1-024	Screw	1	SM11/64" x 40/6
82	22T1-007	Washer	1	
83	1WF6-013	Spring	1	
84	1WF5-050	Front bushing	1	
85	J0.0.40	Screw	1	
86	1WF4-052a	Bushing	1	

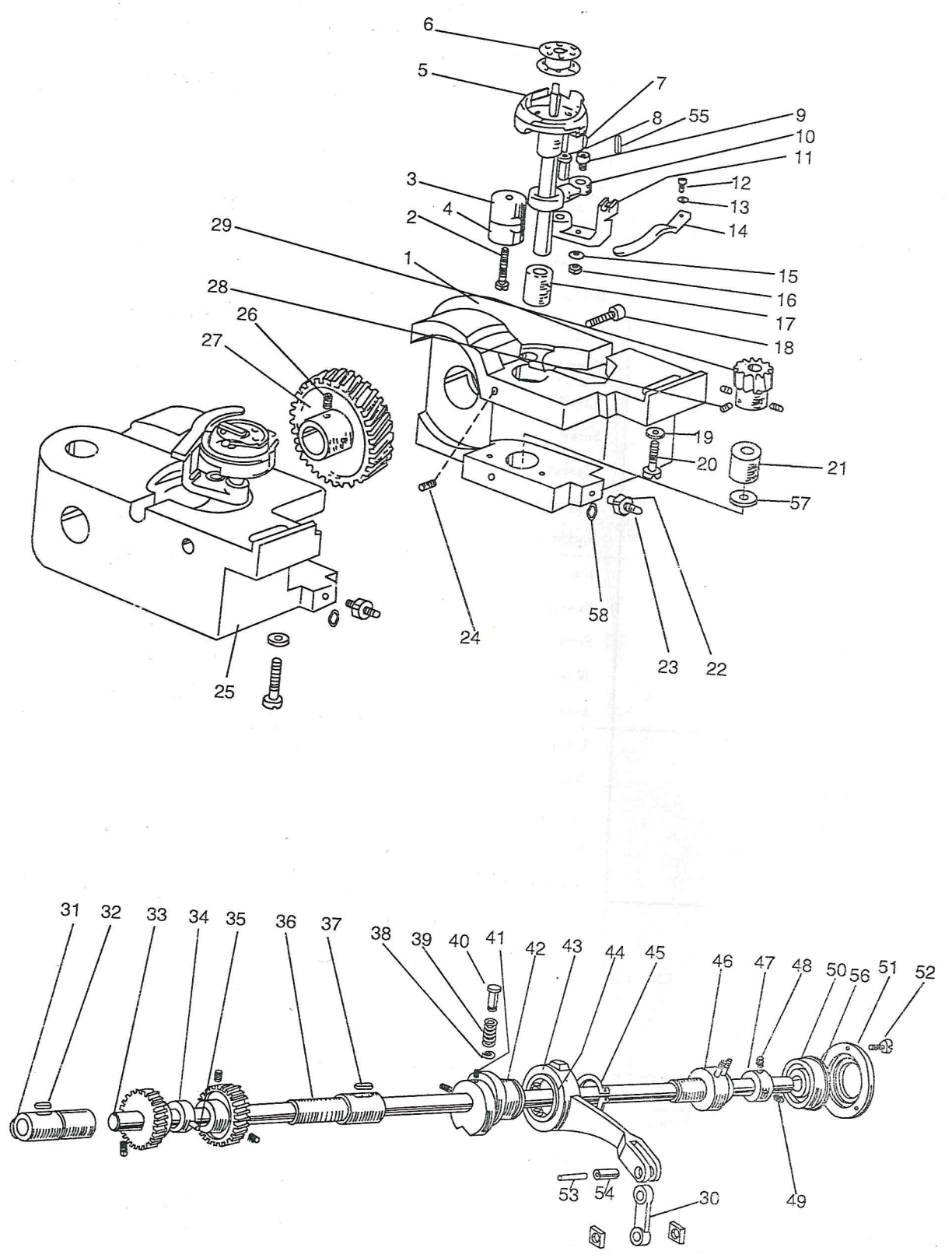




## 6. GC20606 Rock Shaft And Thread Looping Parts

Item	Part number	Description	Pcs	Note
1	1WF2-063	Right hook saddle	1	
2	1WF2-060	Screw	2	SM15/64" x 28
3	1WF2-059	Upper bushing	2	
4	1WF2-061	Lower bushing	2	
5	1WF2-064	Hook	2	
6	1WF2-065	Bobbin	2	
7	1WF2-070	Oil wick	2	Φ2.5 x 14
8	1WF2-069	Hinge shaft	2	
9	1WF2-072	Screw	2	SM3/16" x 32
10	1WF2-071A	Connecting lever	2	
11	1WF2-075	Thread finger bracket	2	
12	1WF1-026	Screw	2	SM9/64" x 40/4.5
13	22T1-007	Washer	2	D=0.5
14	1WF2-076	Thread finger	2	
15		Spring washer	2	GB7246 5
16	1WF2-074	Nut	2	SM3/16" x 32
17	1WF2-062	Bushing	2	
18	1WF2-034	Serwe	2	SM3/16" x 28/14.5
19		Washer	2	GB/T95 6
20	1WF2-033	Screw	2	SM1/4" x 24/20
21	1WF2-077	Lower bushing	2	
22	1WF2-066B	Nut	2	
23	1WF2-066A	Screw	2	
24	1WF2-044	Screw	4	SM1/4" x 40/5
25	1WF2-068	left hook saddle	1	
26	1WF2-052	Screw	4	SM1/4" x 40/4
27	1WF2-078	Spiral gear	2	
28	1WF2-009	Screw	6	
29	1WF2-079	Sipral gear	2	
30	1WF4-055	Feed link	1	
31	1WF2-035	Left bushing	1	
32	1WF2-036	Oil wick	1	Φ25 x 45
33	1WF2-056	Rock shaft	1	
34	1WF4-005	Feed dog lift cam	1	
35	1WF2-052	Screw	1	SM15/64" x 28/3.8
36	1WF2-057	Right bushing	1	
37	1WF2-058	Oil wick	1	Φ2.5 x 85
38		Split stop ring	1	GB896 5

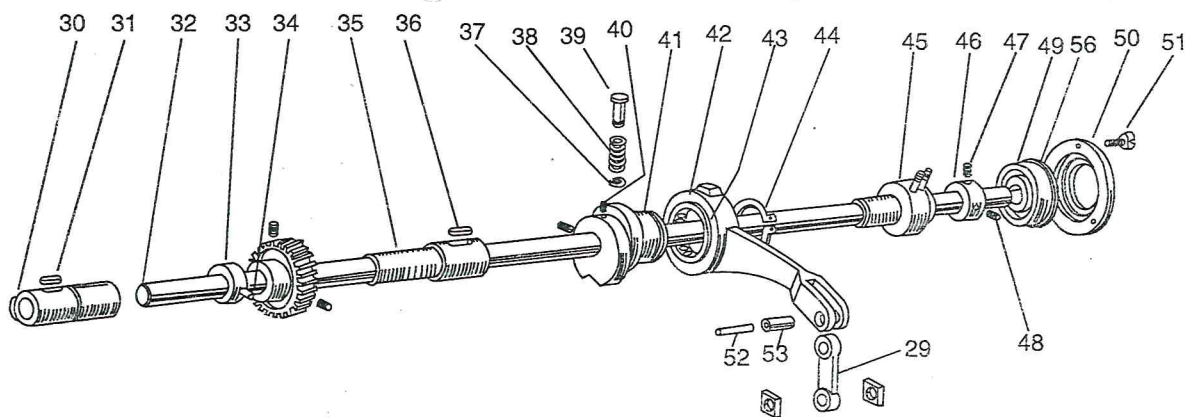
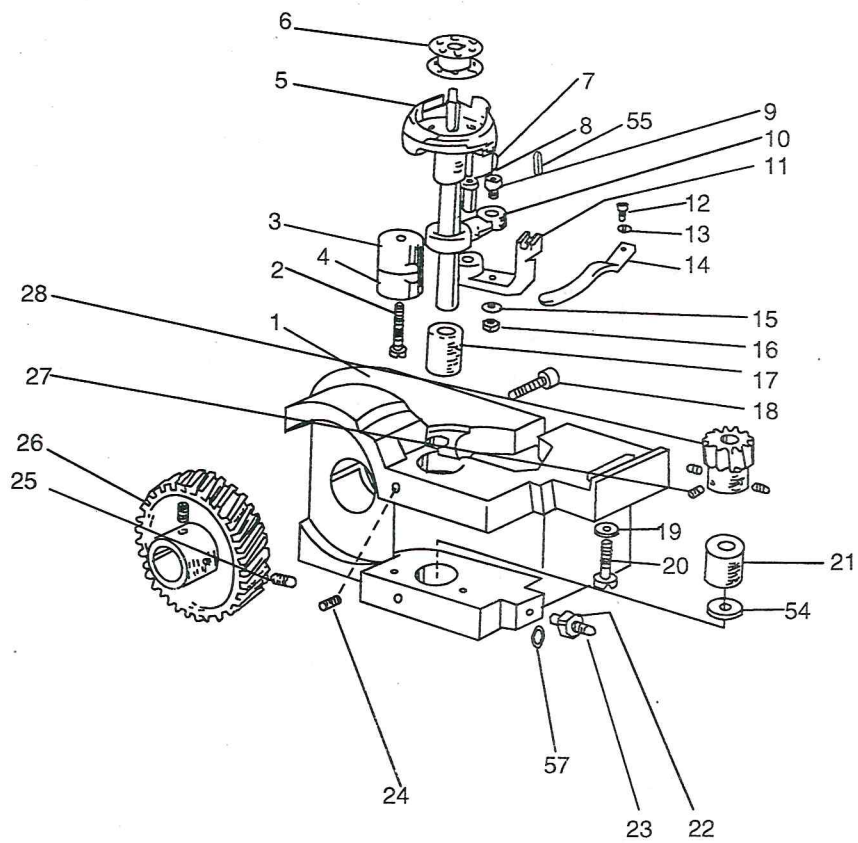
6.





## 6. GC20606 Rock Shaft And Thread Looping Parts

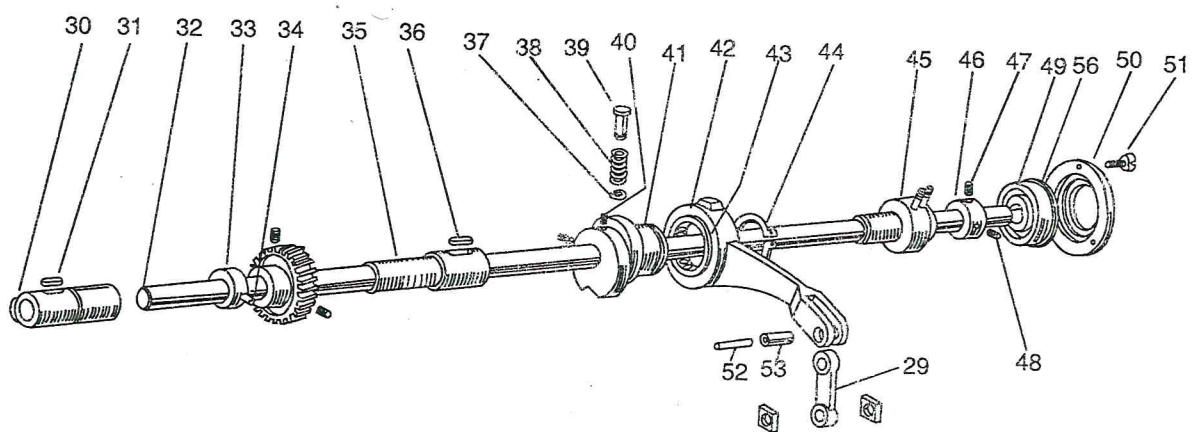
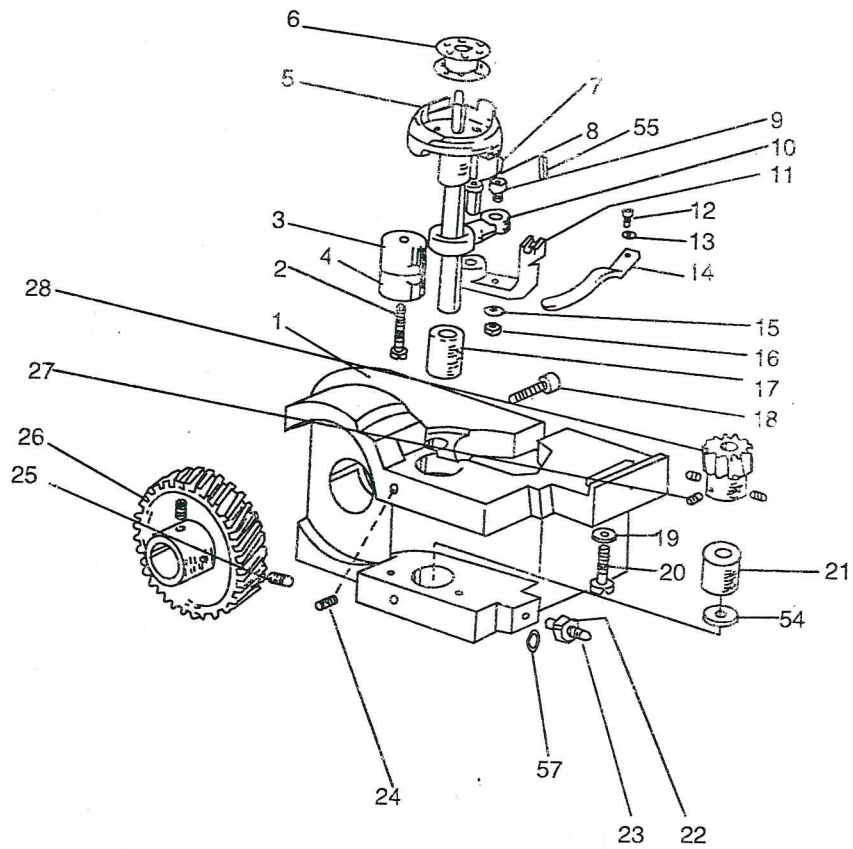
Item	Part number	Description	Pcs	Note
39	1WF4-041	Spring	1	
40	1WF4-042	Buttom	1	
41	1WF4-010	Screw	2	SM15/64" x 28/13.5
42	1WF4-011	Feed cam	1	
43	1WF4-012	Feed link	1	
44		Needle bearing	1	HK263416
45		Spring stop ring	1	GB894.1 26
46	1WF2-055	Middle bushing	1	
47	1WF2-051	Rear bushing	1	
48	22T3-002B2	Screw	1	
49	1WF2-052	Screw	1	SM1/4" x 40/5
50		Ball bearing	1	17 x 40 x 12
51	1WF2-050	Bearing press ring	1	
52	1WF2-049	Screw	3	SM9/64" x 40/7
53	1WF4-044	Oil wick	1	
54	1WF4-043	Feed link pin	1	
55	1WF2-073	Oil wick	2	
56	1WF2-081	Ring	1	
57	1WF2-077A	Washer	2	
58		Washer	1	GB 955 5



## 7.GC20606-1 Rock Shaft And Thread Looping Parts

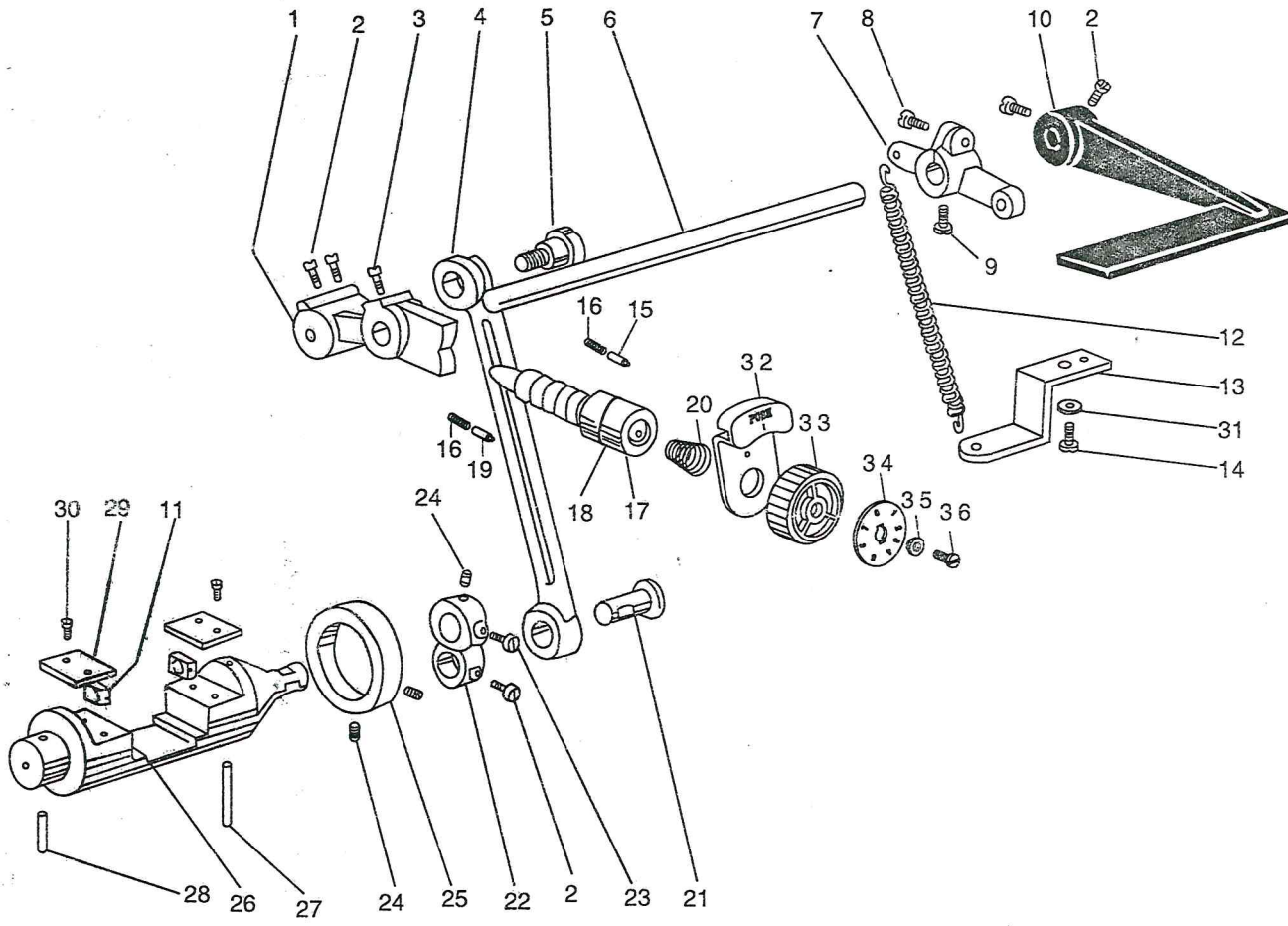
Item	Part number	Description	Pcs	Note
1	1WF2-063	Right hook saddle	1	
2	1WF2-060	Screw	1	SM15/64" × 28
3	1WF2-059	Upper bushing	1	
4	1WF2-061	Lower bushing	1	
5	1WF2-064	Hook	1	
6	1WF2-065	Bobbin	1	
7	1WF2-070	Oil wick	1	Φ2.5 × 14
8	1WF2-069	Hinge shaft	1	
9	1WF2-072	Screw	1	SM3/16" × 32
10	1WF2-071A	Connecting lever	1	
11	1WF2-075	Thread finger bracket	1	
12	1WF1-026	Screw	1	SM9/64" × 40/4.5
13	22T1-007	Washer	1	
14	1WF2-076	Thread finger	1	
15		Spring washer	1	GB72465
16	1WF2-074	Nut	1	SM3/16" × 32
17	1WF2-062	Bushing	1	
18	1WF2-034	Screw	1	SM3/16" × 28/14.5
19		Washer	1	GB/T95 6
20	1WF2-033	Screw	1	SM1/4" × 24/20
21	1WF2-077	Lower bushing	1	
22	1WF2-066B	Nut	1	
23	1WF2-066A	Screw	1	
24	1WF2-044	Screw	2	SM1/4" × 40/5
25	1WF2-052	Screw	2	SM1/4" × 40/4
26	1WF2-078	Spiral gear	1	
27	1WF2-009	Screw	3	
28	1WF2-079	Sipral gear	1	
29	1WF4-055	Feed link	1	
30	1WF2-035	Left bushing	1	
31	1WF2-036	Oil wick	1	Φ25 × 45
32	1WF2-056	Rock shaft	1	
33	1WF4-006	Feed dog lift cam	1	
34	1WF2-052	Screw	1	SM15/64" × 28/3.8
35	1WF2-057	Right bushing	1	
36	1WF2-058	Oil wick	1	Φ2.5 × 85
37		Split stop ring	1	GB896 5
38	1WF4-041	Spring	1	





## 7.GC20606-1 Rock Shaft And Thread Looping Parts

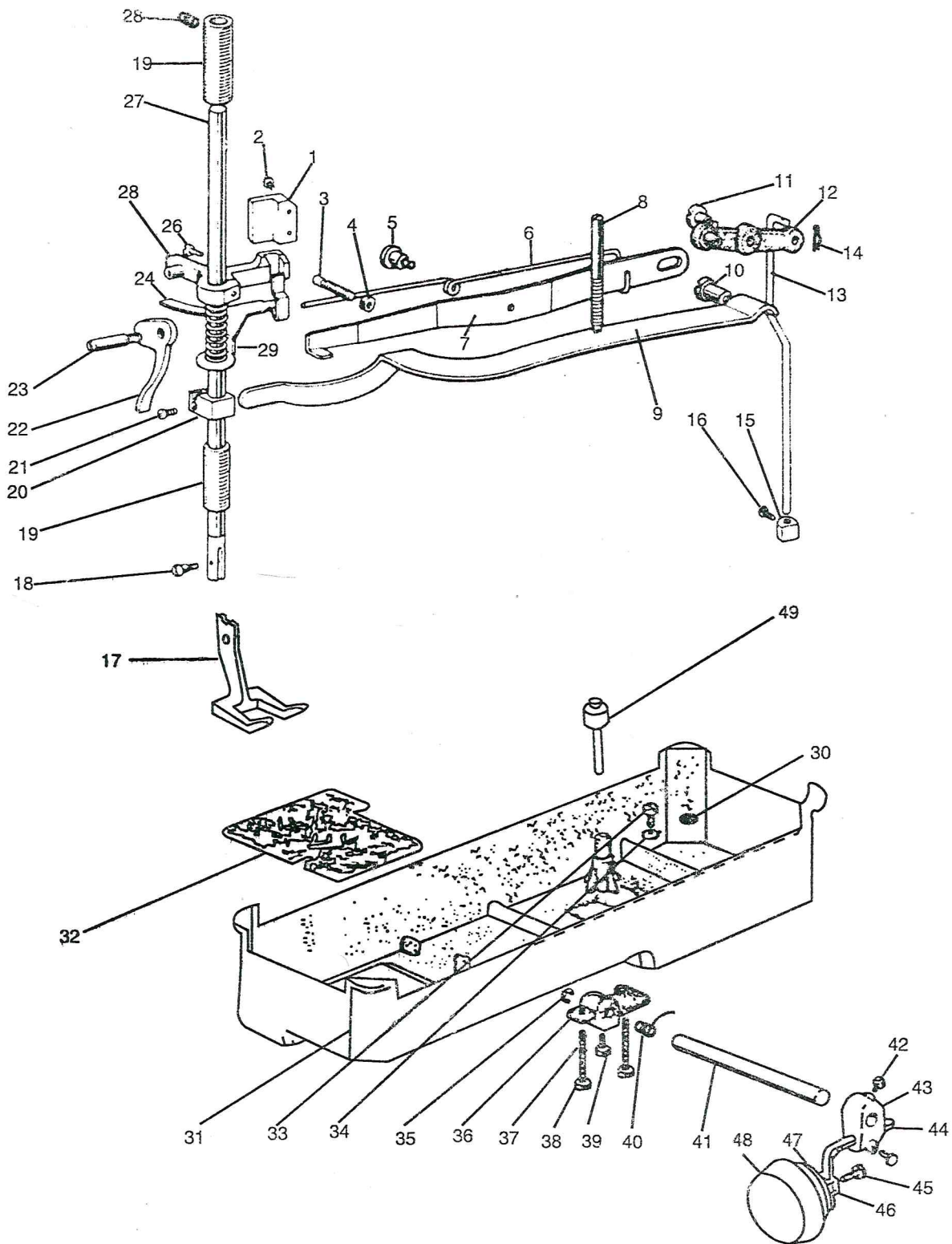
Item	Part number	Description	Pcs	Note
39	1WF4-042	Buttom	1	
40	1WF4-010	Screw	2	SM15/64" x 28/13.5
41	1WF4-011	Feed cam	1	
42	1WF4-012	Feed link	1	
43		Needle bearing	1	HK263416
44		Spring stop ring	1	GB894.1 26
45	1WF2-055	Middle bushing	1	
46	1WF2-051	Rear bushing	1	
47	22T3-002B2	Screw	1	SM1/4" x 40/4
48	1WF2-052	Screw	1	SM1/4" x 40/5
49		Ball bearing	1	17 x 40 x 12
50	1WF2-050	Bearing press ring	1	
51	1WF2-049	Screw	3	SM9/64" x 40/7
52	1WF4-044	Oil wick	1	Φ3 x 18
53	1WF4-043	Feed link pin	1	
54	1WF2-077A	Oil wick	1	
55	1WF2-073	Ring	1	
56	1WF2-081	Washer	1	
57		Washer	1	GB 955 5





## 8. Stitch Length Adjusting Parts

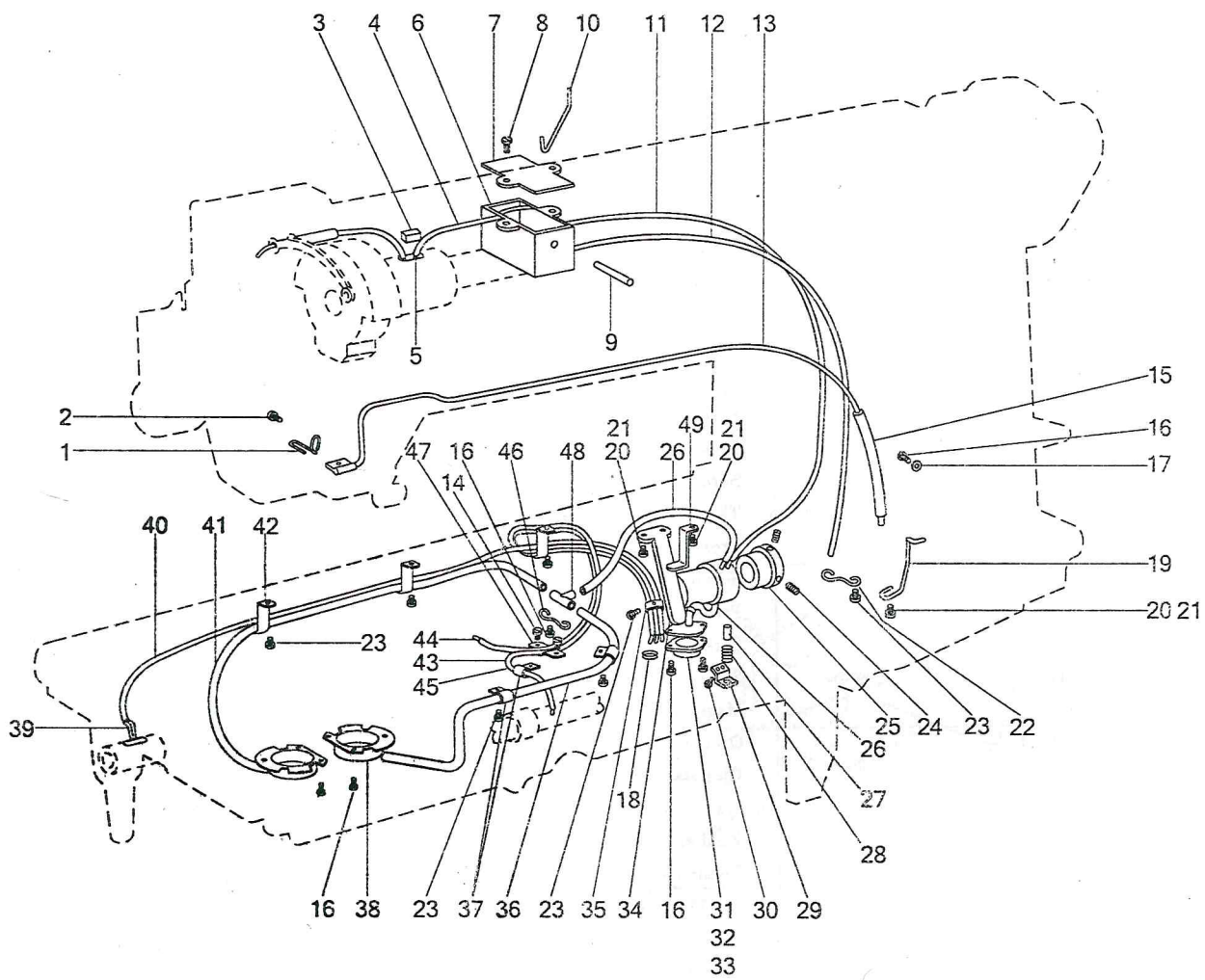
Item	Part number	Description	Pcs	Note
1	1WF4-025	Stitch length adjusting swing lever	1	
2	1WF2-030	Screw	5	SM15/64" × 28/8.5
3	1WF4-026	Set Screw	1	SM15/64" × 28/12
4	1WF4-014	Stitch length link	1	
5	1WF4-028	Eccentric shaft	1	
6	1WF4-046	Reverse sewing shaft	1	
7	1WF4-047	Reverse sewing crank	1	
8	1WF4-027	Screw	1	SM15/64" × 28/13
9	1WF4-021	Screw	1	SM15/64" × 40/10.5
10	1WF4-048	Reverse sewing lever	1	
11	1WF4-040	Sliding block	2	
12	1WF4-049	Spring	1	
13	1WF4-050	Spring holder	1	
14	1WF4-051	Screw	1	SM11/64" × 40/8
15	36T5-012	Stop pin	1	
16	22T5-009	Spring	2	
17	1WF4-023	Stitch length adjusting bolt	1	
18	33T2-030-A	O-gasket	1	
19	7WF2-006	Pin	1	
20	36T5-011	Spring	1	GC6-1
21	1WF4-013	Stitch length adjusting crank shaft	1	
22	1WF4-015	Stitch length adjusting crank	1	
23	1WF2-038	Screw	1	SM15/64" × 28/10
24	1WF4-016	Screw	3	SM15/64" × 28/6
25	1WF4-053	Collar	1	
26	1WF4-057	Reverse sewing adjusting stand	1	
27	1WF4-045	oil wick	1	Φ3 × 26
28	1WF4-039	oil wick	1	Φ4 × 16
29	1WF4-056	Sliding block guide	2	
30	1WF1-011	Screw	4	SM11/64" × 40/9
31	22T1-007	Washer	1	GC6-1
32	7WF2-005	Stitch length button	1	
33	36T5-007D <sub>2</sub>	Stitch length dial	1	
34	1WF4-058A	Stitch length dial	1	
35	36T5-007D4	bushing	1	
36	36T5-007D5	Screw	1	



## 9. Presser Foot Lift Parts

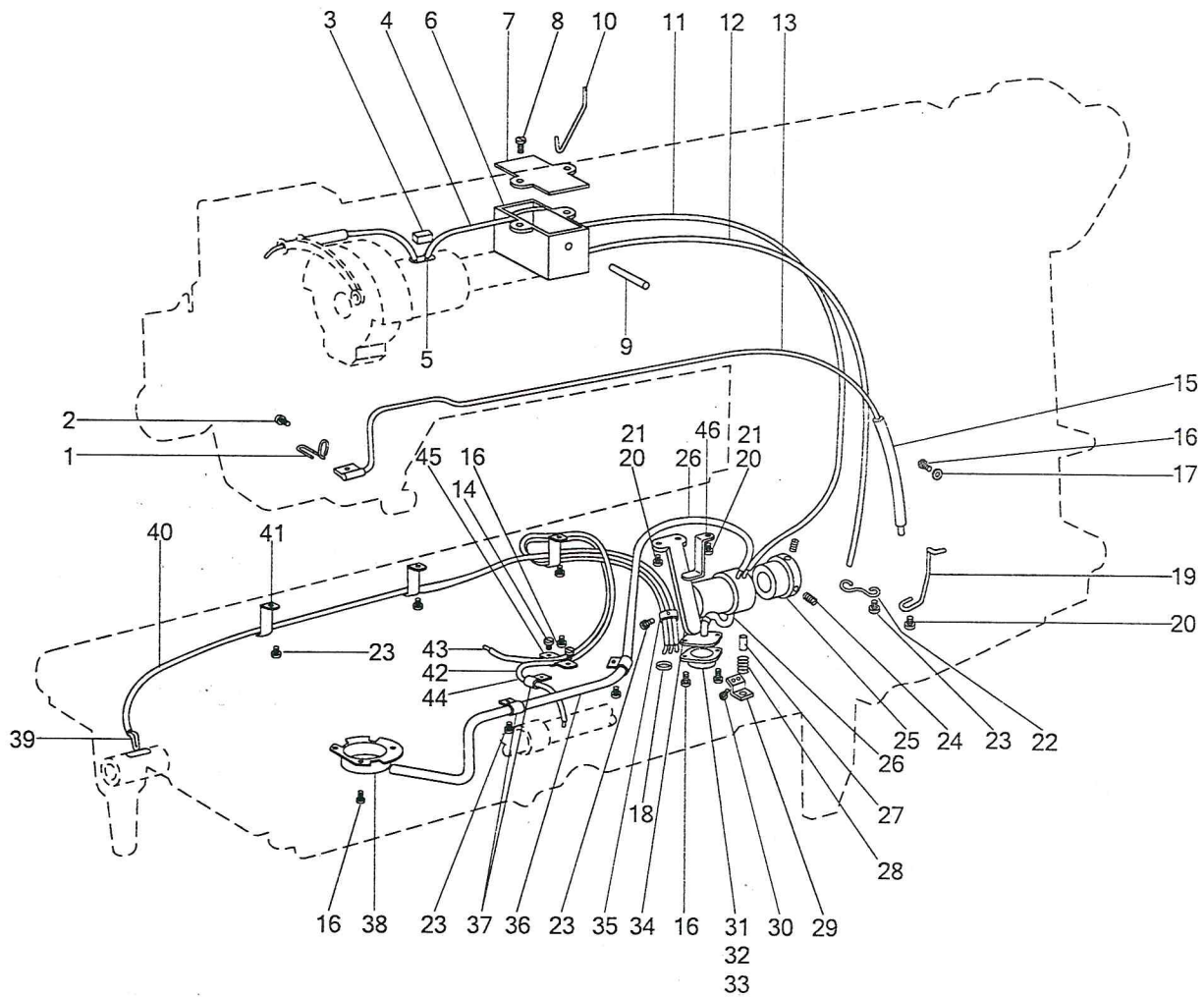
Item	Part number	Description	Pcs	Note
1	1WF5-040	Sliding block rail	1	
2	1WF5-039	Screw	2	SM1/64" x 40/12
3	1WF3-011	Screw	1	SM1/4" x 24/16.5
4	1WF3-010	Nut	1	
5	1WF3-013	Screw	1	
6	1WF3-014	Spring	1	
7	1WF3-012	Knee lifter lever	1	
8	1WF3-015	Adjusting screw	1	
9	1WF3-016	Pressure bar spring lever	1	
10	1WF3-018	Screw	1	
11	1WF3-017	Screw	1	
12	1WF3-019	Knee lifter crank complete	1	
13	1WF3-021	Knee lifter prop rod	1	
14	1WF3-020	Split pin	1	
15	1WF3-024	Stop Collar	1	
16	1WF3-025	Screw	1	
17	1WF3-001(9WF3-001)	Presser foot	1	GC20606 - 1
18	1WF3-002	Set screw	1	
19	1WF3-004	Bushing	2	
20	1WF3-005	Spring lever holder	1	
21	1WF2-006	Screw	1	SM9/64" x 40/8.5
22	1WF3-023	Presser foot lift lever	1	
23	1WF3-022	Screw	1	
24	1WF3-007	Thread releasing lever	1	
25	1WF3-008	Presser bar guide	1	
26	1WF3-009	Screw	1	SM11/64" x 40/15
27	1WF3-003	Presser bar	1	
28	1WF2-023	Screw	2	SM1/4" x 24 x 23
29	1WF3-006	Spring	1	
30	22T9-012	Magnet	1	GC6-1
31	58F0-001A1	Oil pan	1	GC20202
32	1WF7-018	Oil gasket	1	GC20202
33	22T9-001A2	Screw	1	SM5/16" x 25/10
34	22T9-001A3	Washer	1	GC6-1
35		Retain ring	1	GB896 9
36	1WF3-028	Knee lifter stop bracket	1	
37	22T9-001A9	Adjust screw	2	SM15/64" x 28/28
38	22T9-001A10	Adjust Nut	2	
39	1WF3-030	Screw	1	SM15/64" x 28/15
40	22T9-001A7	Spring	1	
41	1WF3-027	Hinge pin	1	
42	1WF3-030	Screw	2	SM5/16" x 18/13
43	22T9-003B3	Connector	1	GC6-1
44	22T9-003B2	Bent rod	1	GC6-1
45	22T9-003B7	Screw	1	SM15/64" x 28/8
46	22T9-003B6	Knee lifter bell bracket	1	GC6-1
47	22T9-003B5	Bell	1	GC6-1
48	22T9-003B8	Pat	1	GC6-1
49	1WF3-026	Knee lifter prop rod	1	





## 10.GC20606 Lubrication Parts

Item	Part number	Description	Pcs	Note
1	1WF6-001	Presser spring	1	
2	1WF4-051	Screw	1	SM11/64" × 40 × 8
3	1WF6-003	Oil felt	1	
4	1WF6-005A	oil pipe	1	3D × 0.5 × 60
5	1WF6-004	Oil wick	1	
6	1WF6-007	Oil cup	1	
7	1WF6-008	Oil cup cover	1	
8		Screw	2	GB/T69 M4 × 16
9	1WF6-009	Pin	1	
10	1WF6-006	Presser spring	1	
11	1WF6-010	Oil pipe	1	3D × 1 × 400
12	1WF6-011	Oil drain pipe	1	5D × 1 × 400
13	1WF6-002	Oil wick	1	φ2.5 × 550
14	1WF1-005	Screw	1	
15	1WF6-012	Needle bar oil return pipe	1	3D × 0.5 × 150
16	1WF1-024	Screw	8	SM9/64" × 40/9
17	22T1-007	Washer	1	
18	1WF4-029	Oil wick clamp	1	
19	1WF6-014	Spring	1	
20	1WF1-011	Screw	4	SM11/64" × 40/9
21	22T1-007	Washer	1	
22	1WF6-021	Oil pipe end clamp	1	
23	1WF1-026	Screw	10	SM9/64" × 40/4.5
24	1WF2-053	Screw	2	SM11/64" × 40/10
25	1WF2-054	Bushing	1	
26	1WF6-027	Oil pipe	2	3D × 1 × 90
27	1WF6-025	Plug	1	
28	1WF6-024	Spring	1	
29	1WF6-023	Bracket for spring	1	
30	1WF6-026	Screw	1	SM1/8" × 44/4.5
31	1WF6-018	Oil filter	1	
32	1WF6-019	Washer	1	
33	1WF6-020	Oil filter screen	1	H62
34	1WF6-017	Oil filter bracket	1	
35	1WF6-028	Oil pipe clamp	1	
36	1WF6-035	Oil pipe	1	
37	1WF6-036	Oil pipe clamp	4	
38	1WF6-038	Oil tray complete	2	
39	1WF6-041	Oil wick	1	φ2.5 × 430
40	1WF6-040	Oil pipe	1	3D × 0.5 × 410
41	1WF6-039	Oil pipe	1	#1 3D × 1 × 445
42	1WF6-034	Pipe clamp	3	
43	1WF6-032	Oil pipe	2	3D × 0.5 × 220
44	1WF6-037	Oil wick	1	φ2.5 × 300
45	1WF6-033	Oil wick	1	φ2.5 × 240
46	1WF6-030	3-nozzle oil mouth bracket	1	
47	1WF6-031	Oil pipe clamp	1	
48	1WF6-029	3-nozzle oil mouth	1	
49	1WF6-015	Oil filter bracket	1	



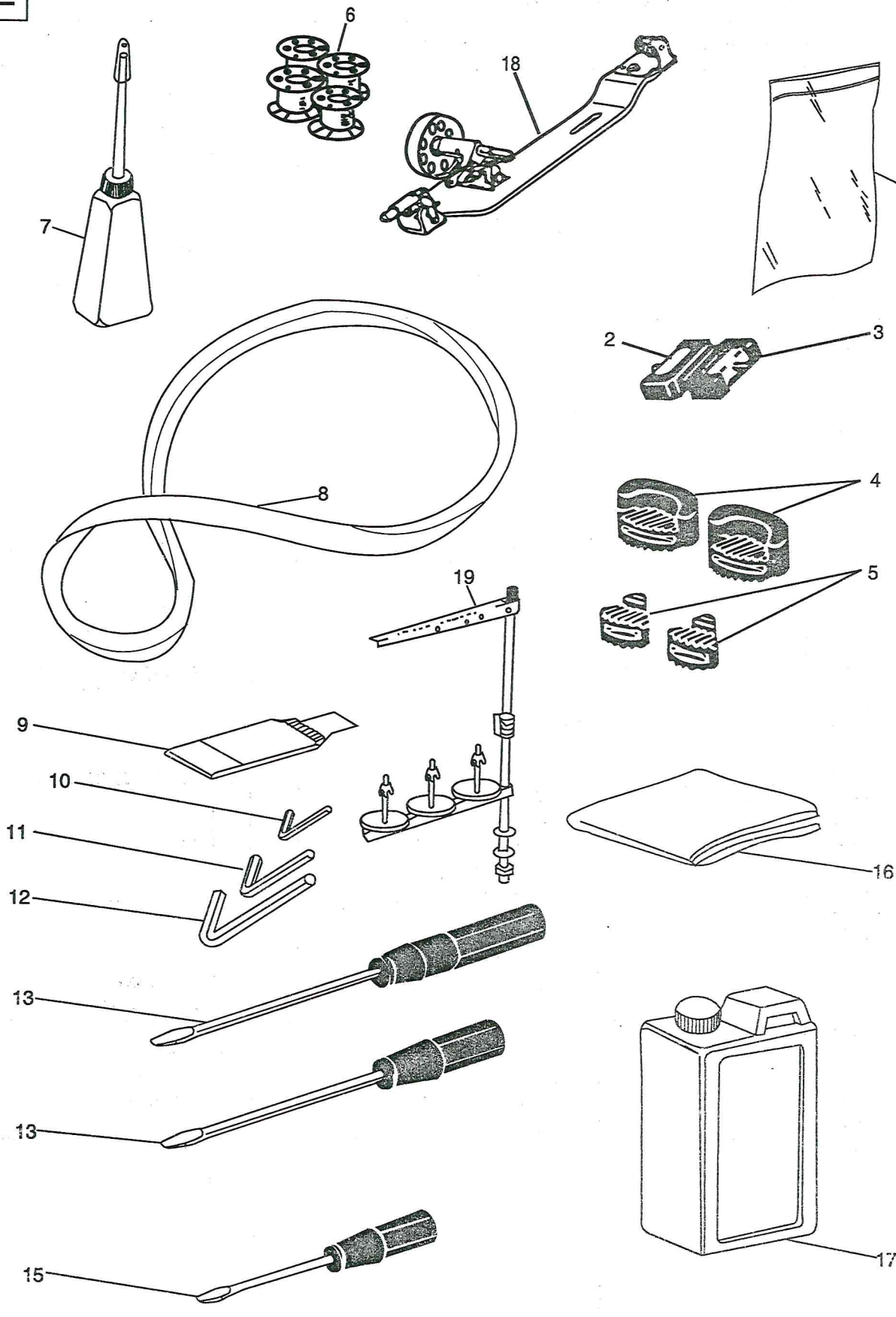


## 10.GC20606-1 Lubrication Parts

Item	Part number	Description	Pcs	Note
1	1WF6-001	Presser spring	1	
2	1WF4-051	Screw	1	SM11/64" × 40 × 8
3	1WF6-003	Oil felt	1	
4	1WF6-005A	oil pipe	1	3D × 0.5 × 60
5	1WF6-004	Oil wick	1	
6	1WF6-007	Oil cup	1	
7	1WF6-008	Oil cup cover	1	
8		Screw	2	GB/T69 M4 × 16
9	1WF6-009	Pin	1	
10	1WF6-006	Presser spring	1	
11	1WF6-010	Oil pipe	1	3D × 1 × 400
12	1WF6-011	Oil drain pipe	1	5D × 1 × 400
13	1WF6-002	Oil wick	1	φ2.5 × 550
14	1WF1-005	Screw	1	
15	1WF6-012	Needle bar oil return pipe	1	3D × 0.5 × 150
16	1WF1-024	Screw	8	SM9/64" × 40/9
17	22T1-007	Washer	1	
18	1WF4-029	Oil wick clamp	1	
19	1WF6-014	Spring	1	
20	1WF1-011	Screw	4	SM11/64" × 40/9
21	22T1-007	Washer	1	
22	1WF6-021	Oil pipe end clamp	1	
23	1WF1-026	Screw	8	SM9/64" × 40/4.5
24	1WF2-053	Screw	2	SM11/64" × 40/10
25	1WF2-054	Bushing	1	
26	1WF6-027	Oil pipe	2	3D × 1 × 90
27	1WF6-025	Plug	1	
28	1WF6-024	Spring	1	
29	1WF6-023	Bracket for spring	1	
30	1WF6-026	Screw	1	SM1/8" × 44/4.5
31	1WF6-018	Oil filter	1	
32	1WF6-019	Washer	1	
33	1WF6-020	Oil filter screen	1	H62
34	1WF6-017	Oil filter bracket	1	
35	1WF6-028	Oil pipe clamp	1	
36	1WF6-035	Oil pipe	1	
37	1WF6-036	Oil pipe clamp	4	
38	1WF6-038	Oil tray complete	2	
39	1WF6-041	Oil wick	1	φ2.5 × 430
40	1WF6-040	Oil pipe	1	3D × 0.5 × 410
41	1WF6-034	Pipe clamp	3	
42	1WF6-032	Oil pipe	2	3D × 0.5 × 220
43	1WF6-037	Oil wick	1	φ2.5 × 300
44	1WF6-033	Oil wick	1	φ2.5 × 240
45	1WF6-031	Oil pipe clamp	1	
46	1WF6-015	Oil filter bracket	1	



12



## 12. Accessories

Item	Part number	Description	Pcs	Note
1	33TF-010	Parts bag	1	
2	22T9-007F1	Hinge pin	2	GC6-1
3	22T9-007F2	Hinge pin socket	2	GC6-1
4	1KT5-004	Cushion	2	GC20202
5	1KT5-003	Cushion	2	GC20202
6	1WF2-065	Bobbin	4	
7	33TF-011	Oil pot	1	
8		V-belt	1	M41
9		Needle	1	DP x 17 23#
10		Hex key	1	2 GB/T5356-1998
11		Hex key	1	2.5 GB/T5356-1998
12		Hex key	1	3 GB/T5356-1998
13	33TF-012	Screwdriver	1	GC6-1
14	33TF-013	Screwdriver	1	GC6-1
15	33TF-014	Screwdriver	1	GC6-1
16	1F-013	Cover	1	70 x 35
17	1F-012	Oil tank	1	
18	S14420020	Bobbin winder	1	
19	1F-014(33TF-019)	Thread stand	1	GC20608 - 1